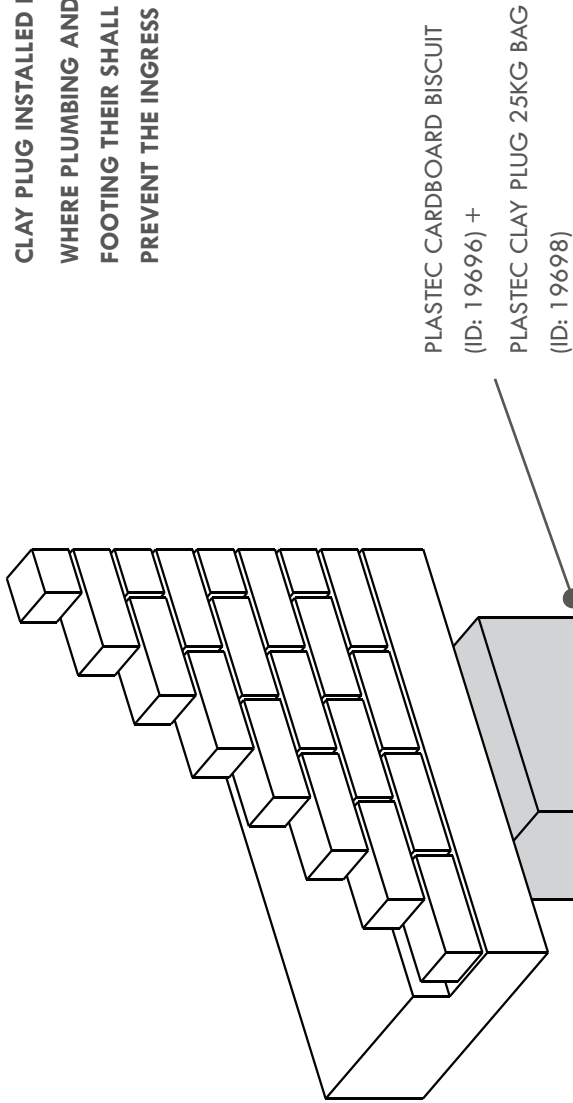


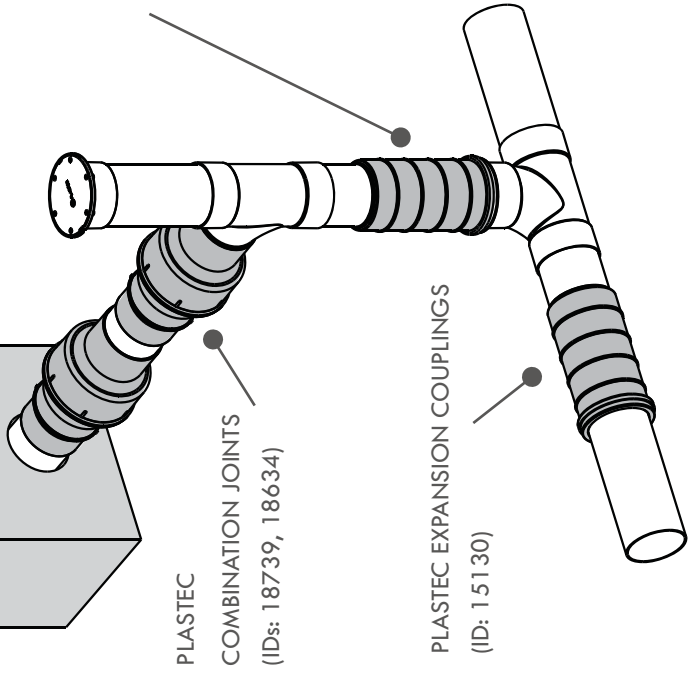
**CLAY PLUG INSTALLED IN ACCORDANCE WITH AS2870.  
WHERE PLUMBING AND DRAINAGE PASS UNDER THE  
FOOTING THEIR SHALL BE A CLAY PLUG BARRIER TO  
PREVENT THE INGRESS OF WATER VIA THE TRENCH.**



PLASTEC CARDBOARD BISCUIT  
(ID: 19696) +

PLASTEC CLAY PLUG 25KG BAG  
(ID: 19698)

IT IS RECOMMENDED FOR ALL H1, H2 AND E CLASS SITES  
THAT FLEXIBLE JOINTS ARE USED IMMEDIATELY DOWNSTREAM  
AT EVERY CHANGE OF DIRECTION.



PLASTEC  
COMBINATION JOINTS  
(IDs: 18739, 18634)

PLASTEC EXPANSION COUPLINGS  
(ID: 15130)

REQUIREMENTS FOR PLUMBING AND DRAINAGE IN REACTIVE CLAYS AND UNSTABLE SOIL SITES AS PER AS2870

- Drains shall incorporate flexible joints immediately outside the footing within 1m of the building perimeter. These flexible joints need to accommodate the amount of movement in any direction equal to the estimated movement of the site.

- These flexible joints must be set in the mid-position of their range of movement and must allow equal movement in any direction at the time of installation.
- This applies for all sanitary and stormwater discharge pipes.
- The base of trenches shall be sloped away from the building.
- Surface drainage shall be considered in the design of the footing system. Surface drainage of the site shall be controlled from the start of site preparation and construction.
- Sub-Surface drainage of the site shall be a minimum 1.5m from the building perimeter.

**TECHNICAL DATA**

**TYPICAL  
CLAY PLUG  
ARTICULATION DETAIL**

SOIL CLASS SITES:	<b>H1, H2 &amp; E</b>
PIPE MATERIAL:	100MM DIA PVC-U
GRADE:	1:40 RECOMMENDED
DATE:	23.10.19

07 5413 4444 SALES@PLASTEC.COM.AU



AS 2870 TABLE 2.3 CLASSIFICATION BY CHARACTERISTIC SURFACE MOVEMENTS (Ys)	
CHARACTERISTIC SURFACE MOVEMENT (Ys)mm	SITE CLASSIFICATION IN ACCORDANCE WITH TABLE 2.1
0 < Ys ≤ 20	S
20 < Ys ≤ 40	M
40 < Ys ≤ 60	H1
60 < Ys ≤ 75	H2
Ys > 75	E

