



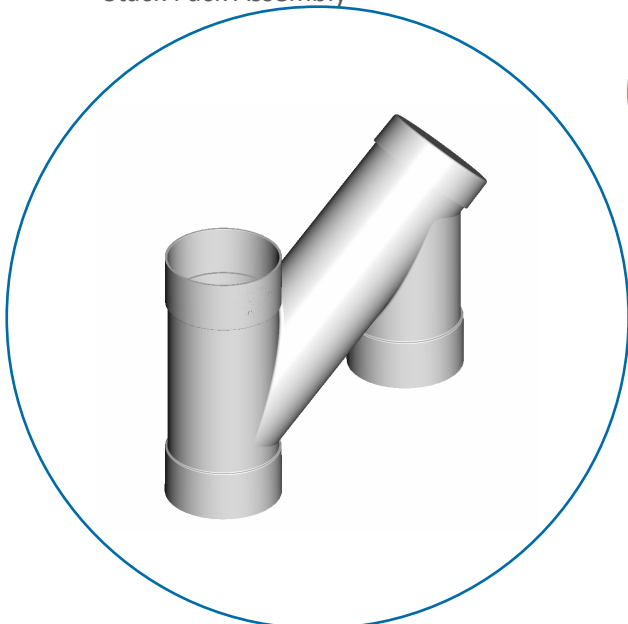
Product Specifications

Measurements (mm)

100mm Stack Vent Assembly

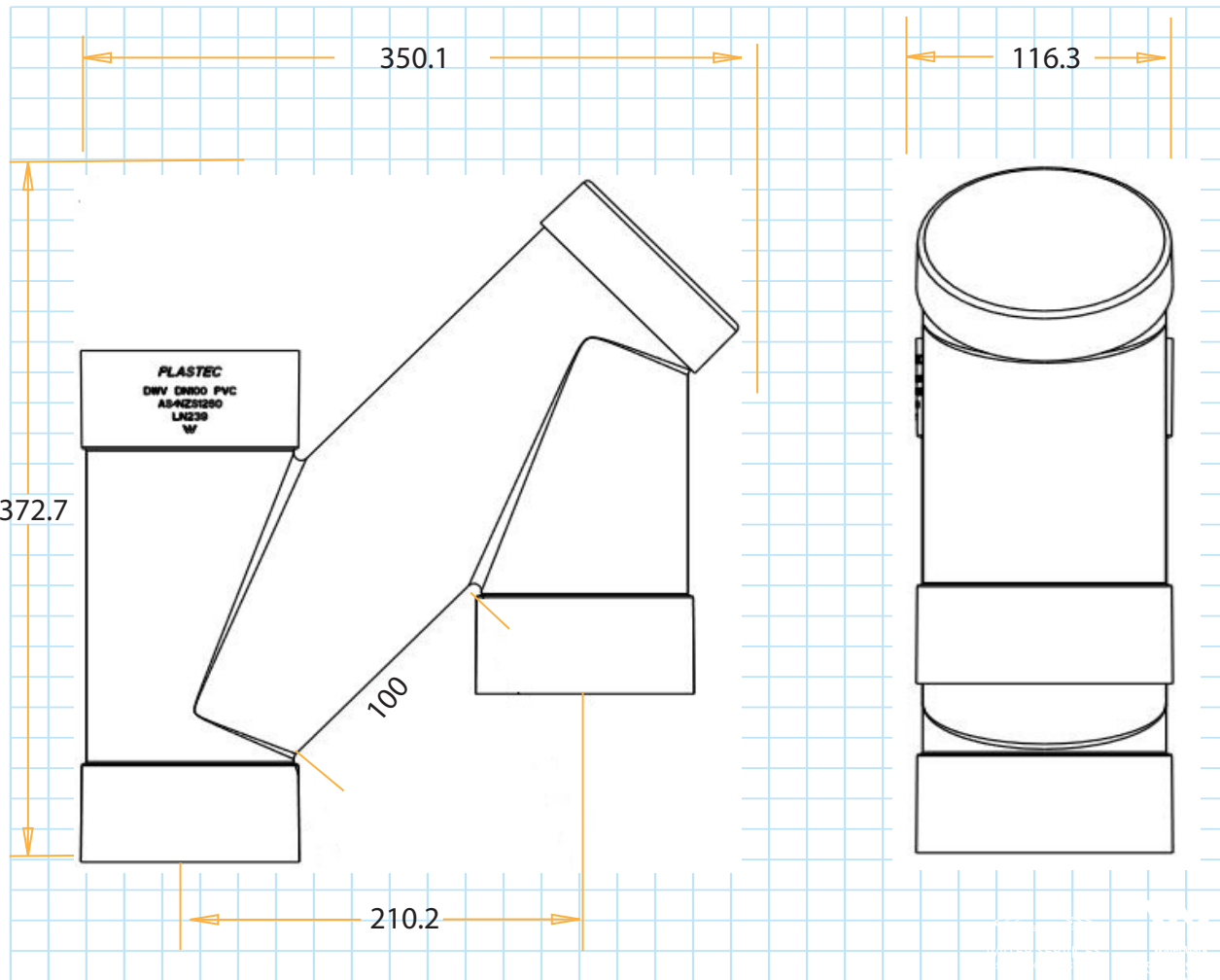
('Base of Stack Relief Junction') Solvent Weld Joints x 3 - Female/Female/Female

- Saves time & money on site
- Eliminates error
- Specifically designed to meet fire collar set outs
- Suitable for use with 18091 Stack Diverter System & 18100 Stack Pack Assembly



ID:
18959

ID	Ø	WALL THICKNESS	U
18959	100 x 100	3mm	5



07 5413 4444 - www.plastec.com.au

Related Products: 100mm RVASS Stack Diverter - ID:18091 and also 100mm RVASS Stack Pack - ID:18100 (which consists of Diverter Assembly, Expansion Joint & M&F 100mm IO Junction.)

Specifications correct as at 05/06/2020, but are subject to change at any time without notice.