

## PAN CONNECTORS

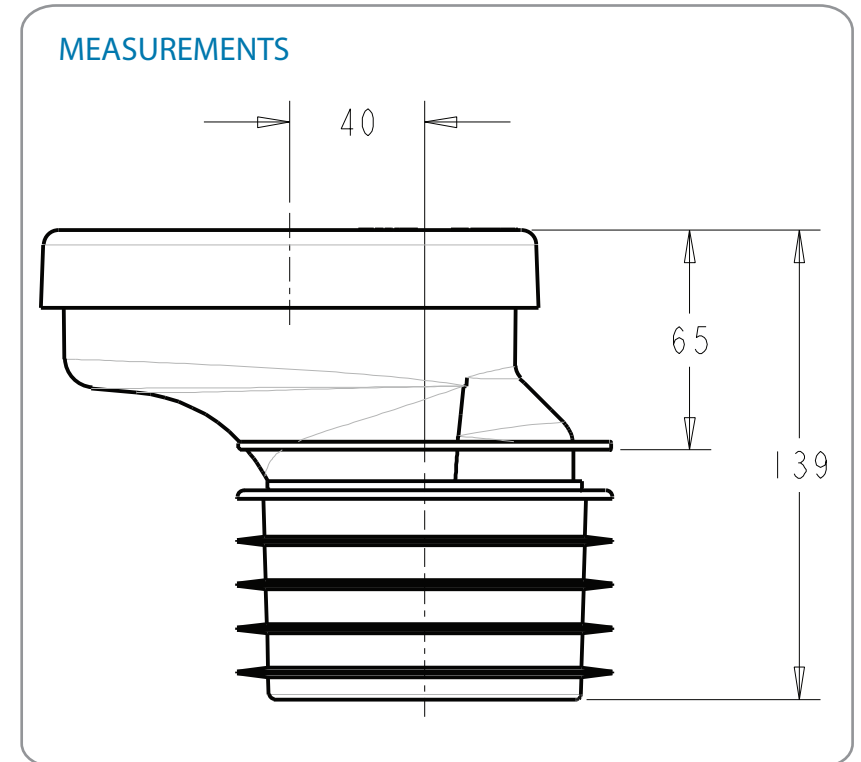
### LOW RISE - FLEXI FIN 40MM OFFSET


PRODUCT ID: 11407 & 14754

- No need to solvent weld, push into pipe
- Install as per 3500.2
- Low rise reduces the risk of siphonage and may need to be recessed into the floor
- Do not install offset pan connectors on P Trap toilets, doing so will void the warranty
- Ensure the outlet of the WC does not come into contact with the base of the pan connector body
- Standard Plastec warranty applies

SPECIFICATIONS:

- COLOUR: WHITE
- 14754 - SUITABLE FOR EARTHENWARE PIPE.



ID	 PIPE	PIPE	LENGTH
11407	100	DWV	38
14754	100	HDPE/CU	38

T. 07 5413 4444 - [www.plastec.com.au](http://www.plastec.com.au)  
[sales@plastec.com.au](mailto:sales@plastec.com.au)

Specifications are correct as at 24/05/2024, but are subject to change without notice