



PLASTEC

# PRODUCT SPECIFICATIONS

## ADJUSTABLE BENDS

### PAN BEND - BRACKET

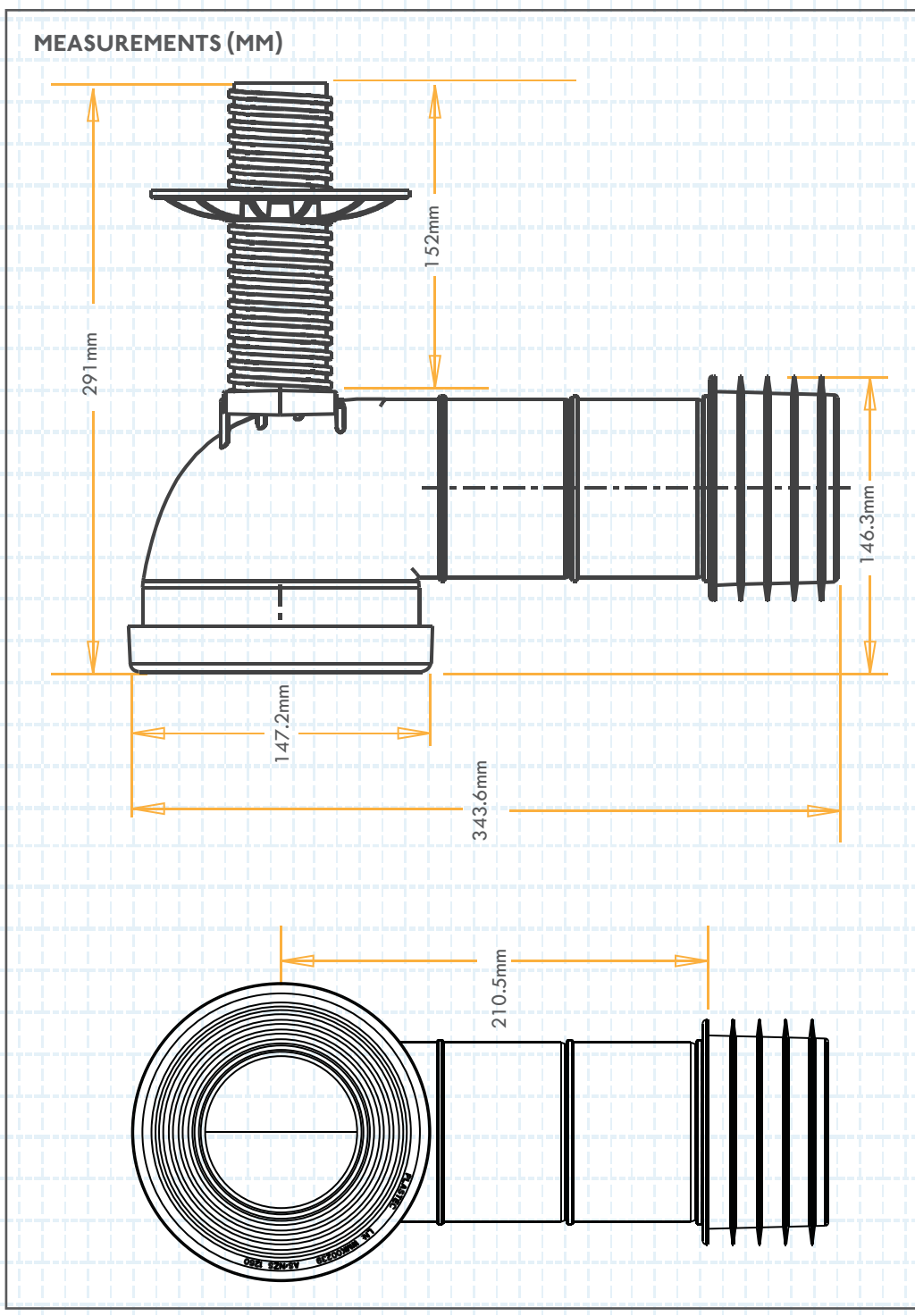
- Bracket used to stabilise pan bend against wall.
- Length can be adjusted by cutting at groove.



ID						
11512	100					12

#### Related Products:

- HDPE version available ID 14758



DIAMETER  
 FASTENING  
 BAG QTY  
 CARTON QTY  
 FINISH/COLOUR  
 MEASUREMENT (MM)

Details correct as at 1.1.01.17, but are subject to change.

07 5413 4444 - WWW.PLASTEC.COM.AU

