

DT SURROUNDS OPEN & CONCEALED GRATES

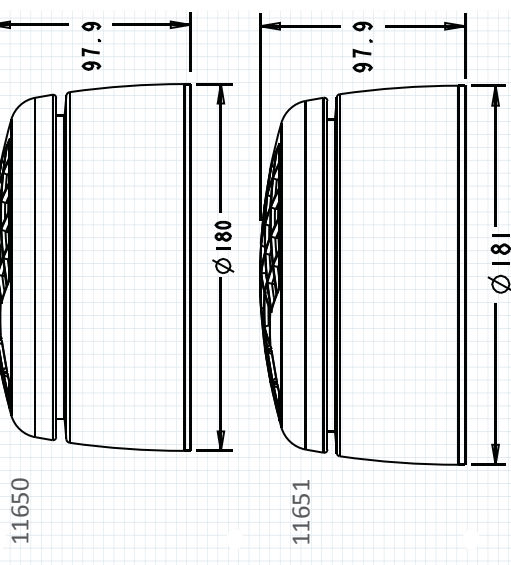
OPEN GRATES



- NOTES:
- Grate can easily be removed for maintenance.
 - Clipping system allows grate to lift under pressure.
 - Grate easily removable for access if required.
 - Suits standard 100mm DWV.
 - * Pressed stainless steel protective shroud.



MEASUREMENTS (MM)



CONCEALED GRATES



- NOTES:
- Concealable grate prevents rain water and foreign materials from entering into the drain.
 - Concealable grate easily lifts under pressure to accommodate surge relief.
 - Ideal overflow relief gully mound.
 - Suits standard 100mm DWV.
 - * Pressed stainless steel protective shroud.



MEASUREMENTS (MM)

