



PLASTEC

# PRODUCT SPECIFICATIONS

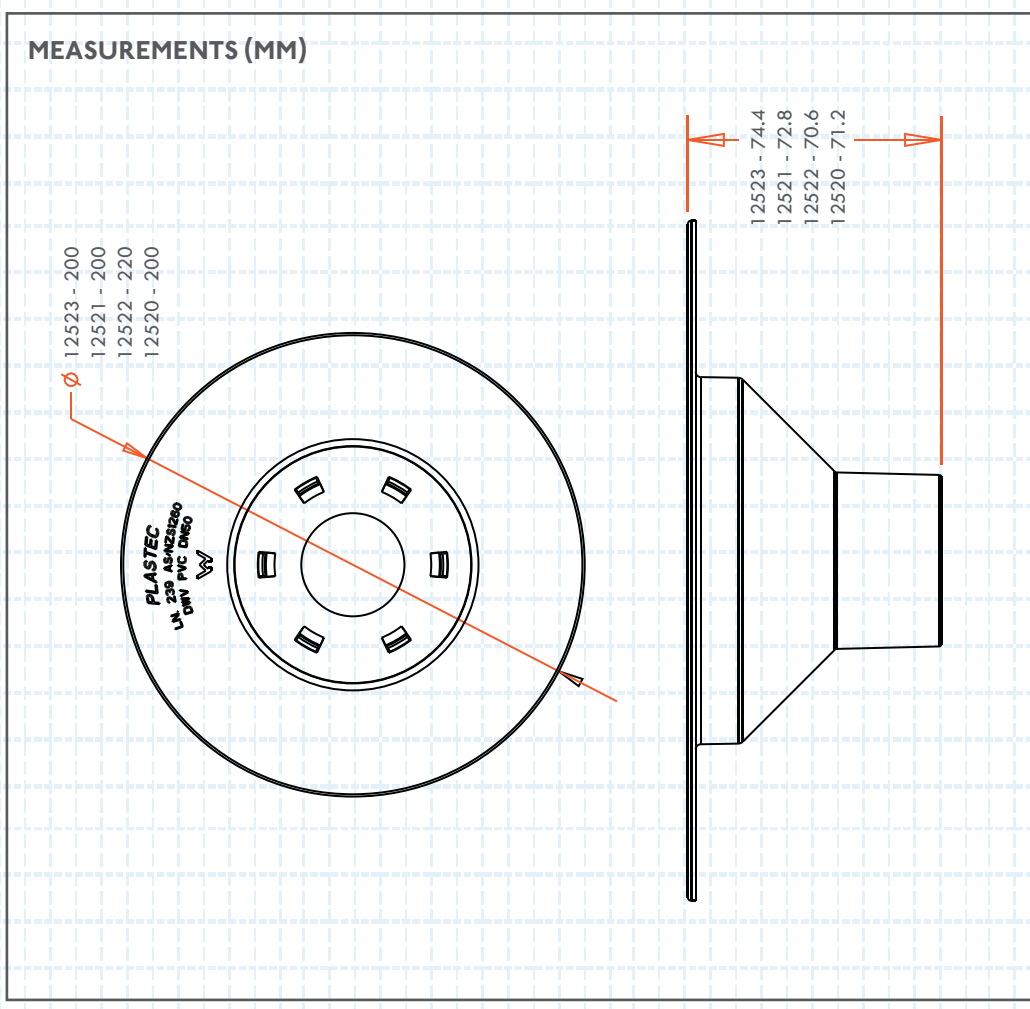
Leak Control Systems

## Puddle Flanges

- Protective cover supplied to prevent entry of foreign material.



ID	DIAMETER	FASTENING	BAG QTY	CARTON QTY	FINISH/COLOUR	MEASUREMENT (MM)
12523	80 x 50	Spigot	40			
12521	80 x 80	Spigot	40			
12522	100 x 100	Spigot	30			
12520	80 x 50	Socket	40			



DIAMETER FASTENING BAG QTY CARTON QTY FINISH/COLOUR MEASUREMENT (MM)

Details correct as at 23.01.18, but are subject to change.

07 5413 4444 - WWW.PLASTEC.COM.AU



WaterMark  
WM15040  
239