



PLASTEC

# PRODUCT SPECIFICATIONS

VINYL FLOOR WASTES

## FLEXI FIN - OPEN GRATES



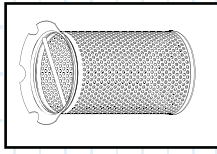
DWV



FLANGED  
OPTION (I18389)



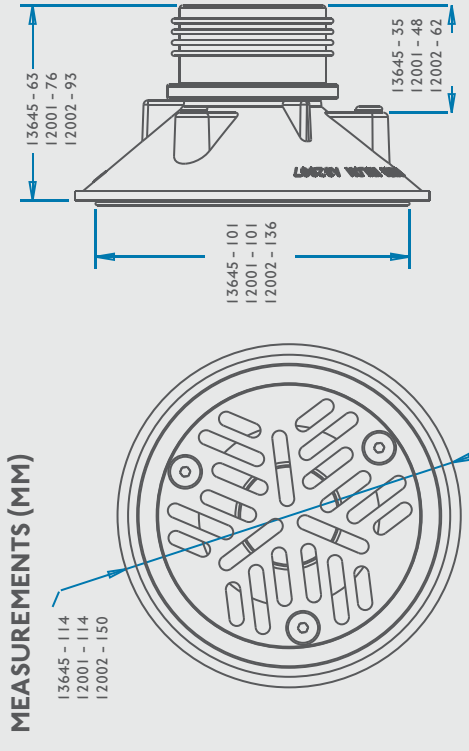
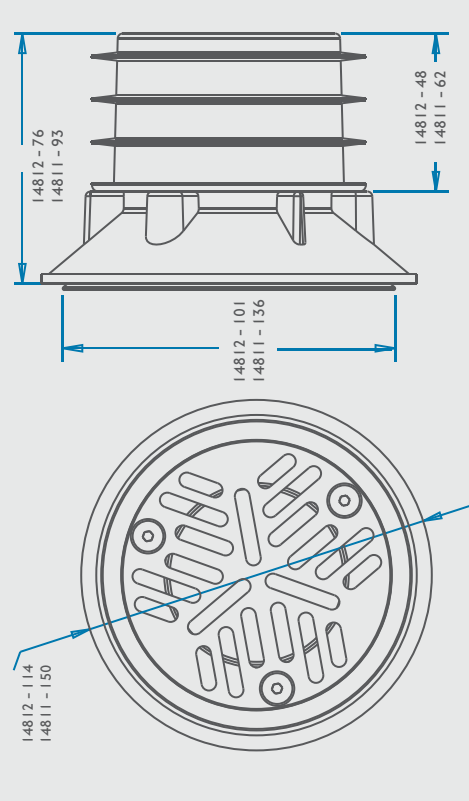
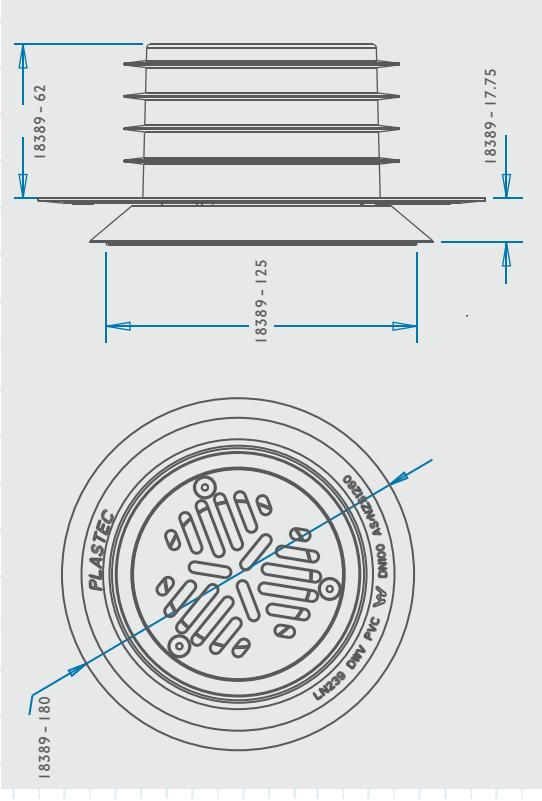
HDPE



**OPTION EXTRA**  
(PURCHASED SEPARATELY):  
**REMOVABLE STAINLESS STEEL  
STRAINER BASKET ID 15931**  
Easily retrofitted to all  
100mmx100mm Vinyl Floor Wastes  
with the exception of the Puddle  
Flange Open Grate (ID 18389) and  
Brass Open Grate Timber Floor  
Adjustable (ID 17475 & 17485).

ID	mm	GRATE	SUIT
I3645	80x50	CHROME PLATED BRASS	DWV 66
I2001	80x80	CHROME PLATED BRASS	DWV 36
I4812	90x90	CHROME PLATED BRASS	HDPE 36
I2002	100x100	CHROME PLATED BRASS	DWV 20
I8389	100x100	STAINLESS STEEL	DWV 12
I4811	110x110	CHROME PLATED BRASS	HDPE 20

- Nylon body with chrome plated brass or stainless steel (304) grate
- DWV and HDPE options available
- Guaranteed tight seal with Flexi-fin outlet
- Flexi-Fin allows for additional adjustment
- Waterproofing flange option available (ID 18389)



### MEASUREMENTS (MM)



WaterMark  
AT55200.040 / 239

PH: 07 5413 4444

WWW.PLASTEC.COM.AU

DETAILS CORRECT AT TIME OF PRINTING (10.11.2015), BUT IS SUBJECT TO CHANGE