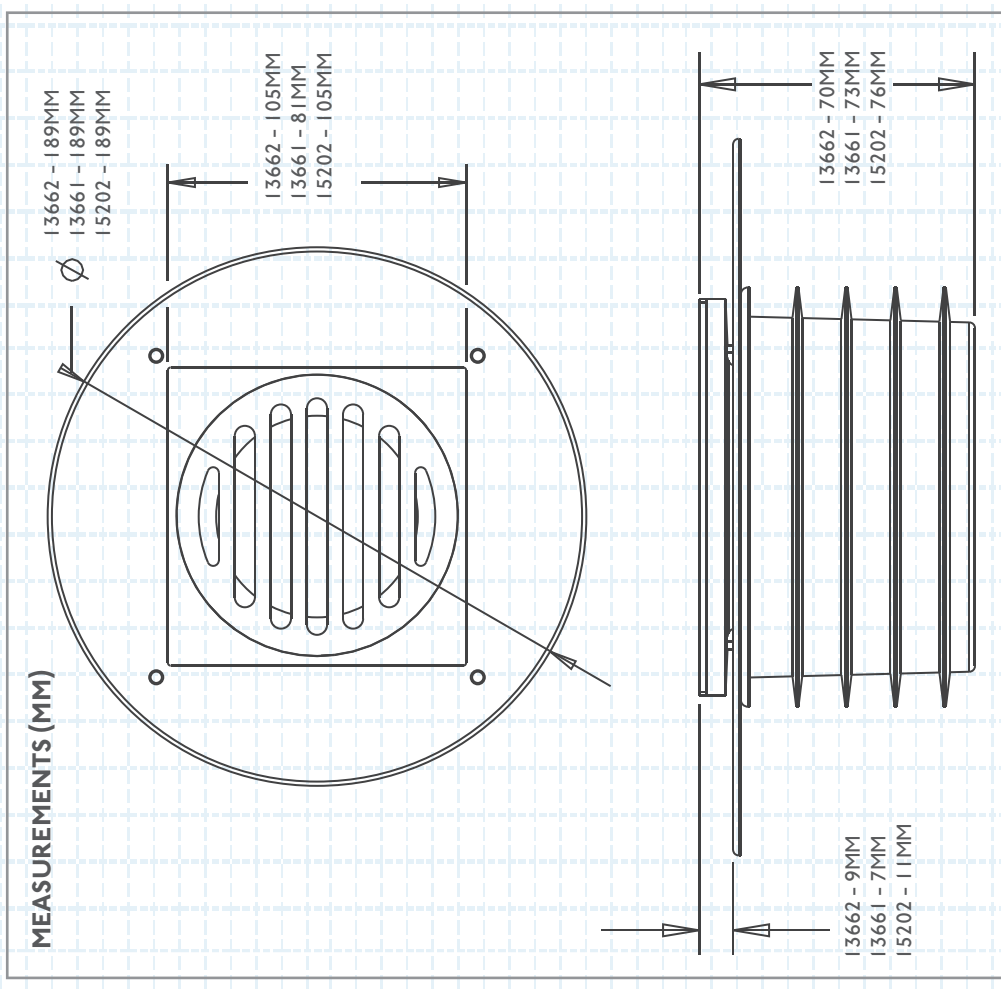


MAXI WASTE SWIVEL SYSTEM

# FLEXI FIN - SQUARE



## PRODUCT SPECIFICATIONS



ID	GRATE	SUIT	FINISH	MEASUREMENT (MM)
<b>HDPE/Cu</b>				
13661	Chrome	HDPE/Cu 30		
15202	Chrome	HDPE/Cu 20		

ID	GRATE	SUIT	FINISH	MEASUREMENT (MM)
<b>DWV</b>				
13662	Chrome	DWV 20		

### RELATED PRODUCTS

- Round also available, please contact Plastec for more information.

MAXI WASTE SWIVEL SYSTEM  
**FLEXI FIN - ROUND**



ID	GRATE	SUIT	FINISH	MEASUREMENT (MM)
<b>DWV</b>				
13649	Chrome	DWV		20

ID	GRATE	SUIT	FINISH	MEASUREMENT (MM)
<b>HDPE/Cu</b>				
13648	Chrome	HDPE/Cu		30
15201	Chrome	HDPE/Cu		20

**RELATED PRODUCTS**

- Square also available, please contact Plastec for more information.

**PRODUCT SPECIFICATIONS**

