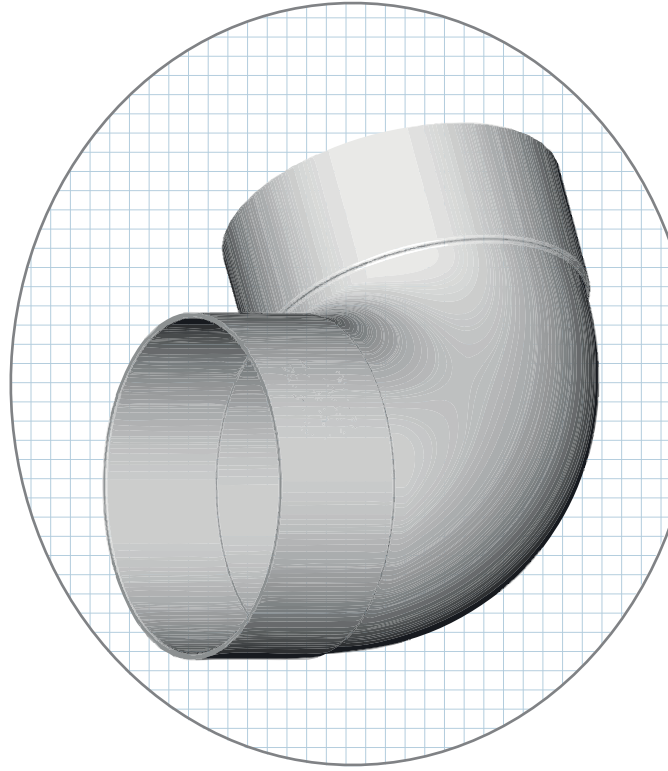


Stormwater Bend

Socket to Socket - Female/Female - 85°



ID	INLET (MM)	OUTLET (MM)	
14326	90 Socket	90 Socket	85 50
16369	100 Socket	100 Socket	85 24
19028	150 Socket	150 Socket	85 8

Related Products: • 5°, 15°, 30° and 45° versions also available.
• DWV bends also available.

