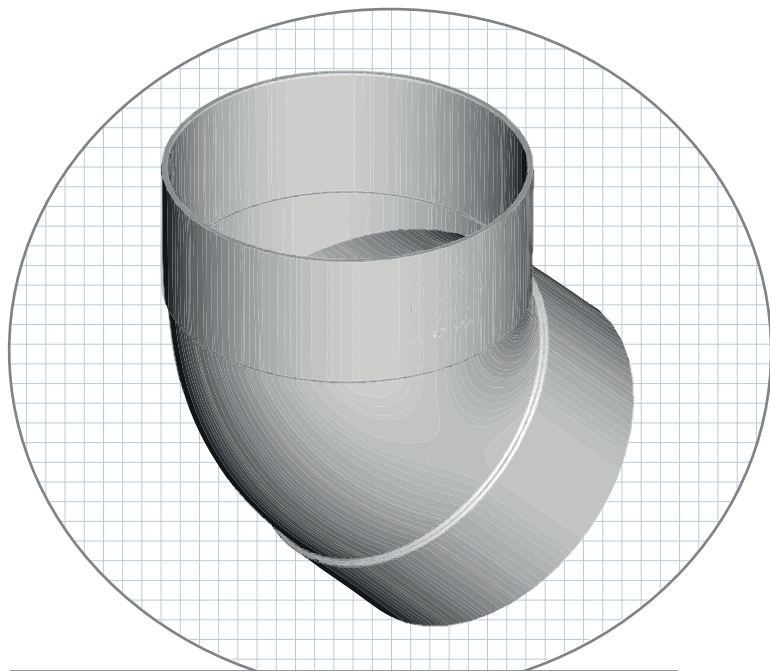


Stormwater Bend

Socket to Socket - Female/Female - 45°



ID	INLET (MM)	OUTLET (MM)	b	
14327	90 Socket	90 Socket	45	60
16368	100 Socket	100 Socket	45	30
19029	150 Socket	150 Socket	45	8
19604	300 Socket	300 Socket	45	1

Related Products: • 5°, 15°, 30° and 88° versions also available.
• DWV bends also available.

