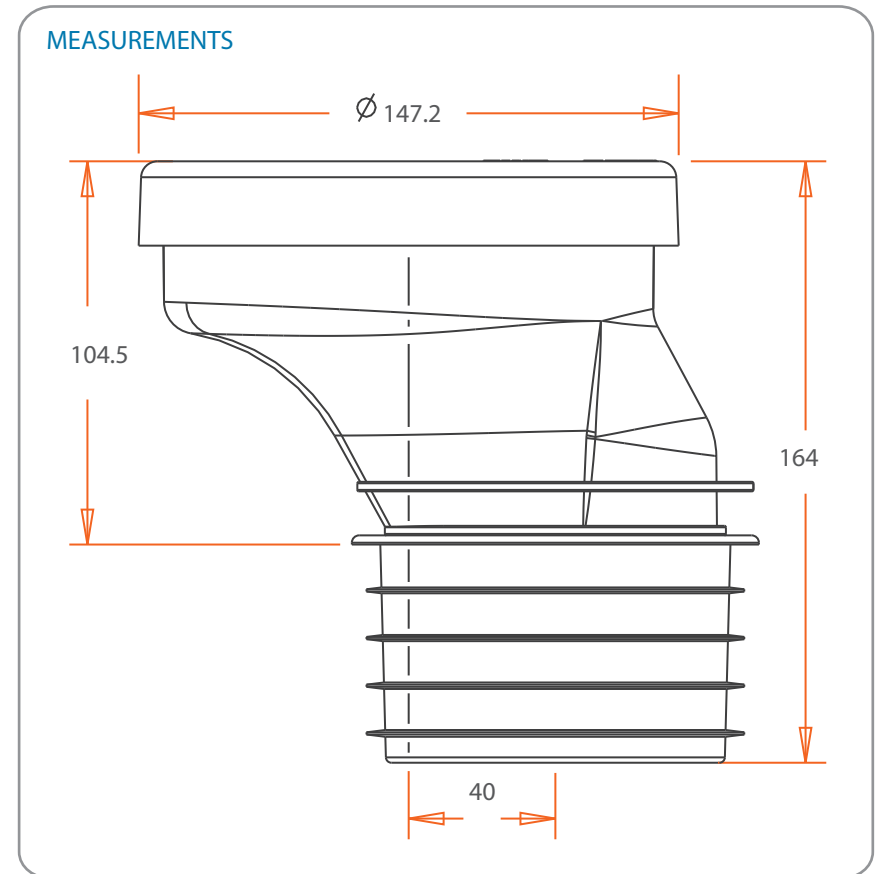



## PAN CONNECTORS HIGH RISE - FLEXI FIN 40MM OFFSET

PRODUCT ID: 14750 & 14756

- No need to solvent weld, push into pipe
- Install as per 3500.2
- High rise reduces the risk of siphonage and may need to be recessed into the floor
- Do not install offset pan connectors on P Trap toilets, doing so will void the warranty
- Ensure the outlet of the WC does not come into contact with the base of the pan connector body
- Standard Plastec warranty applies



ID	 INLET DIA	CARTON QTY
14750	100 DWV	22
14756	100 HDPE/CU	33

T. 07 5413 4444 - [www.plastec.com.au](http://www.plastec.com.au)  
sales@plastec.com.au

Specifications are correct as at 16/05/2024, but are subject to change without notice