



PUDDLE FLANGE RECESSED WITH ADAPTOR

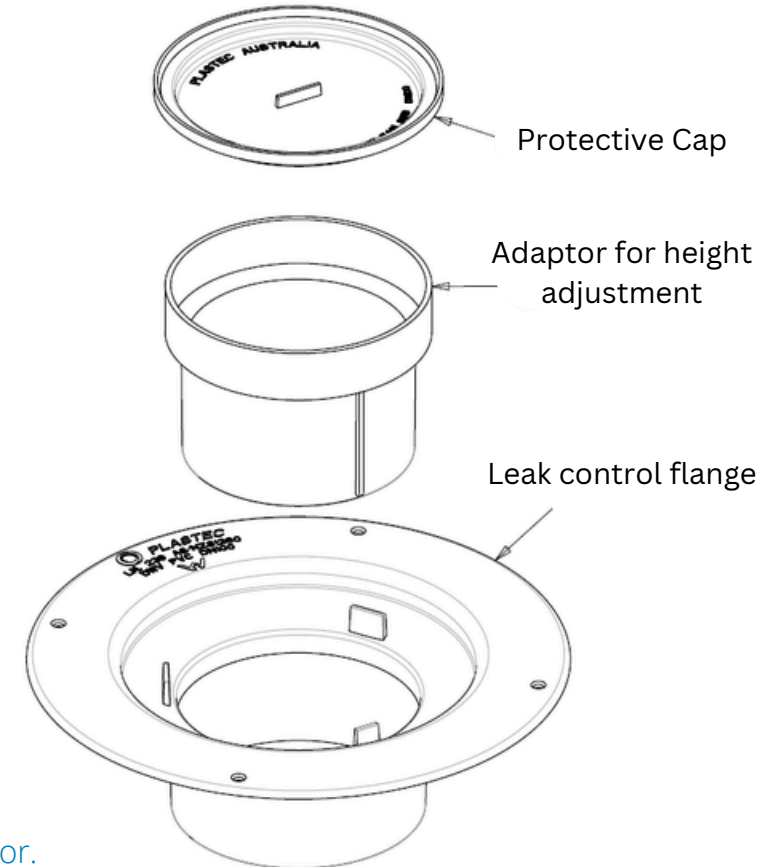
PART OF PLASTEC'S RANGE OF LEAK CONTROL PRODUCTS



It is preferable to rebate the drainage flange into the substrate.

ID	Inlet	Outlet	Ø	Box
14792	80	50	Socket	30
14793	80	80	Spigot	25
14794	80	50	Spigot	30
14791	100	100	Spigot	24

- Flange solvent welds to pipework.
- Adaptor adjusts to height of the tile bed/screed.
- Waterproof to AS3740 3.14
- Adaptor fits most standard grates.
- Puddle flanges can be supplied without the adaptor.
- Protective cover supplied to prevent entry of foreign material.



* Grate not included



Phone: (07) 5413 4444

Email: sales@plastec.com.au
www.plastec.com.au

