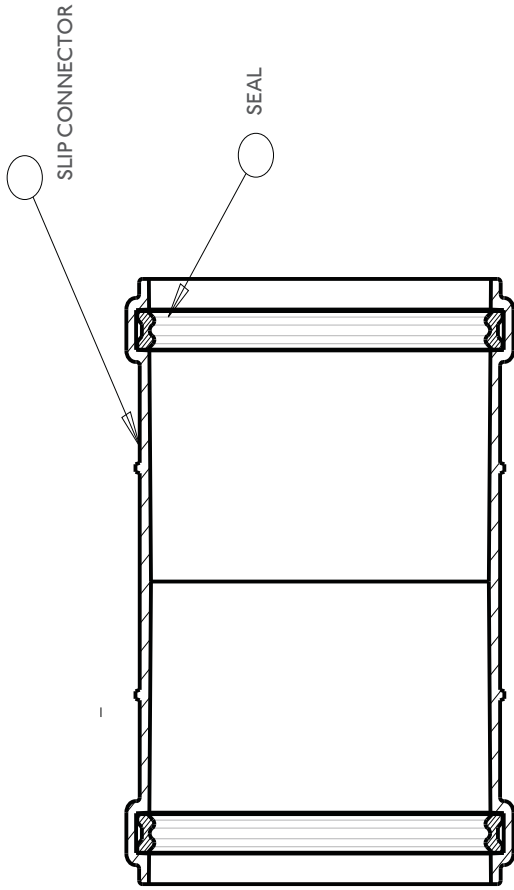


**RUBBER RING JOINT REPAIR COUPLING**

PRODUCT ID: 15302



ID	15302	100	12
			

NOTES:

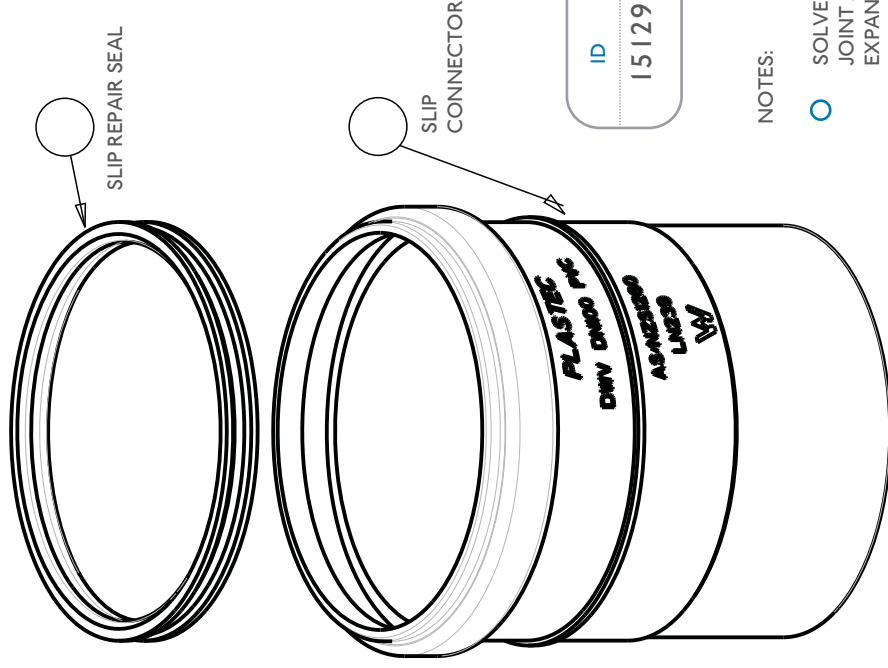
-  BOTH ENDS HAVE RUBBER RING SEALS.
-  CENTRE STOP HAS BEEN REMOVED.



T. 07 5413 4444 F. 07 5491 8918  
info@plastec.com.au  
[www.plastec.com.au](http://www.plastec.com.au)

**DWV EXPANSION COUPLING**

PRODUCT ID: 15129



ID	15129	100	32
			

NOTES:

-  SOLVENT WELD ONE END AND RUBBER RING JOINT AT OTHER END TO ALLOW FOR EXPANSION.

