

PAN CONNECTORS MEDIUM RISE - FLEXI FIN 40MM OFFSET

PRODUCT ID: 15641 & 15644

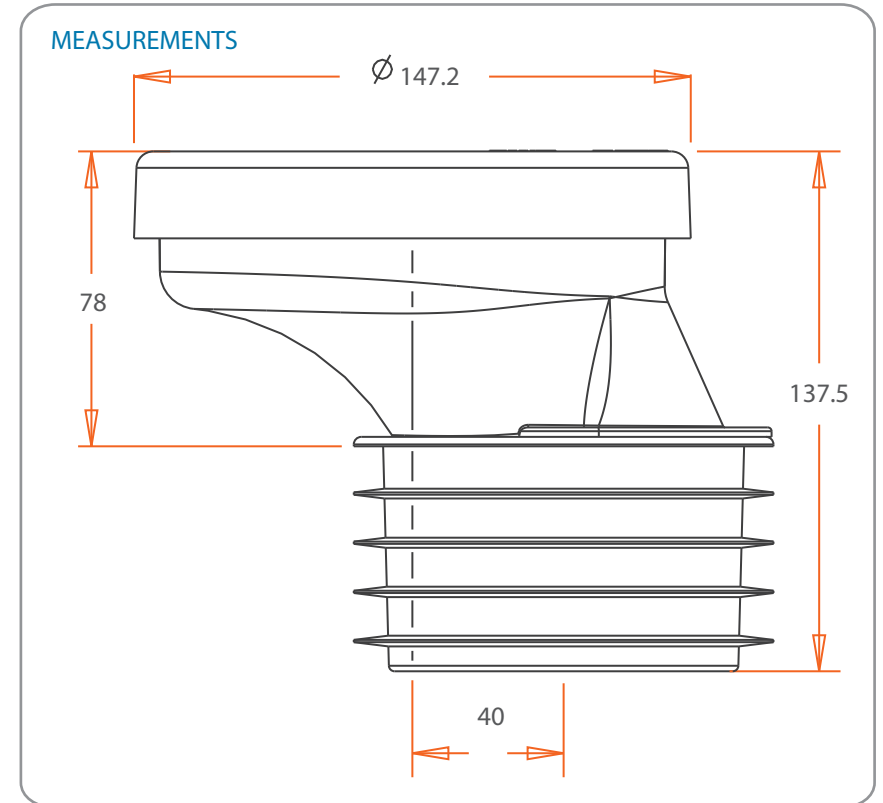
- No need to solvent weld, push into pipe
- Install as per 3500.2
- Medium rise reduces the risk of siphonage and may need to be recessed into the floor
- Do not install offset pan connectors on P Trap toilets, doing so will void the warranty
- Ensure the outlet of the WC does not come into contact with the base of the pan connector body
- Standard Plastec warranty applies




15641



15644



ID	 INLET DIA	CARTON QTY
15641	100 DWV	27
15644	100 HDPE/CU	27

T. 07 5413 4444 - www.plastec.com.au
sales@plastec.com.au

Specifications are correct as at 16/05/2024, but are subject to change without notice