

SWIVEL JOINT

Our swivel and expansion joints are specifically designed for Australia's ever changing soil conditions. Reactive soils are prone to expansion and contraction due to variations of moisture content. These soils undergo volume change and can be destructive.

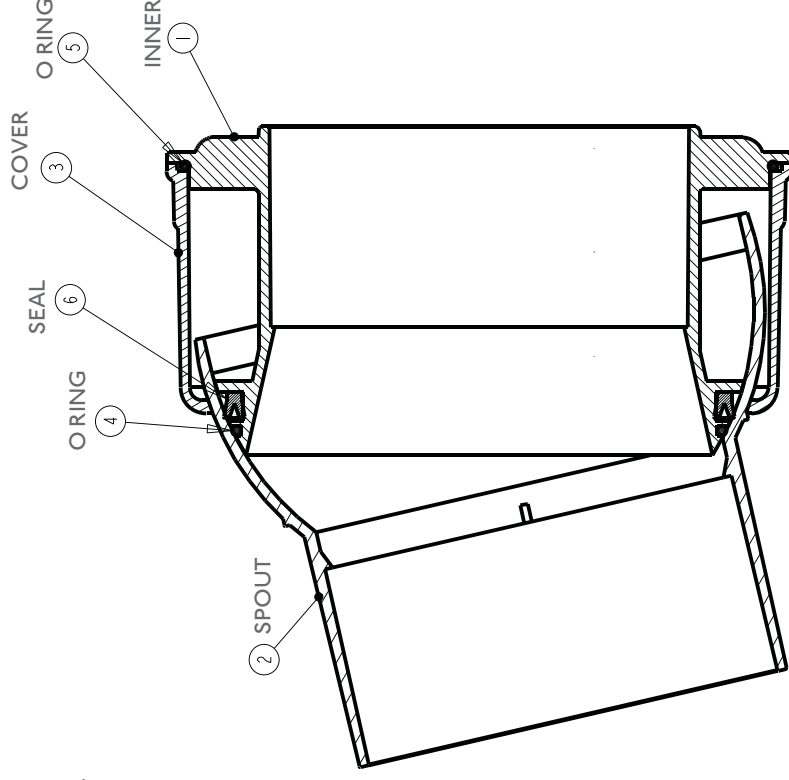
Incorporating both our swivel and expansion joints into your plumbing and drainage installation can assist in offsetting much of the associated problems when working with reactive soils.

- Independently air tested in excess of 200kps.
- Does not require the use of toxic root inhibitor tape. Compact in size.
- Can rotate 20 degrees from its axis giving more flexibility.



ID	GRATE	GRATE
15643	150	FxF 6
15132	100	FxF 12
15199	100	MxF 12

NOTE: THESE PRODUCTS ARE PACKAGED INTO 90UM PLASTIC BAGS. THESE BAGS MAY BE USED AS WRAPPING IF REQUIRED.



MEASUREMENTS (MM):

15643

227

Ø 240

15132

186

Ø 179

15199

187

Ø 179