



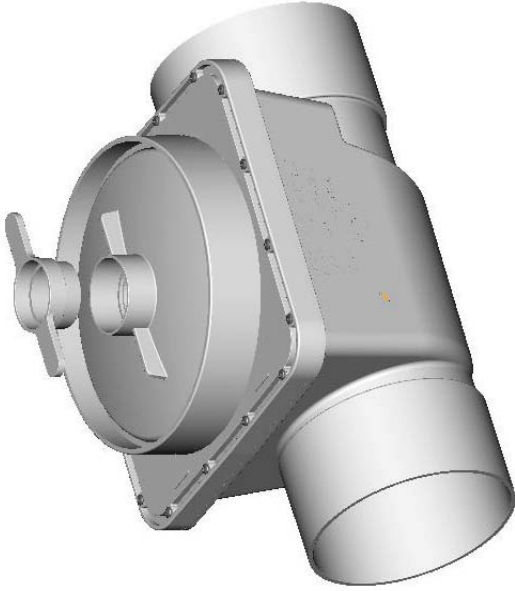
PLASTEC

# PRODUCT SPECIFICATIONS

## DRAIN WASTEVENT (DWV)

### REFLUX VALVES

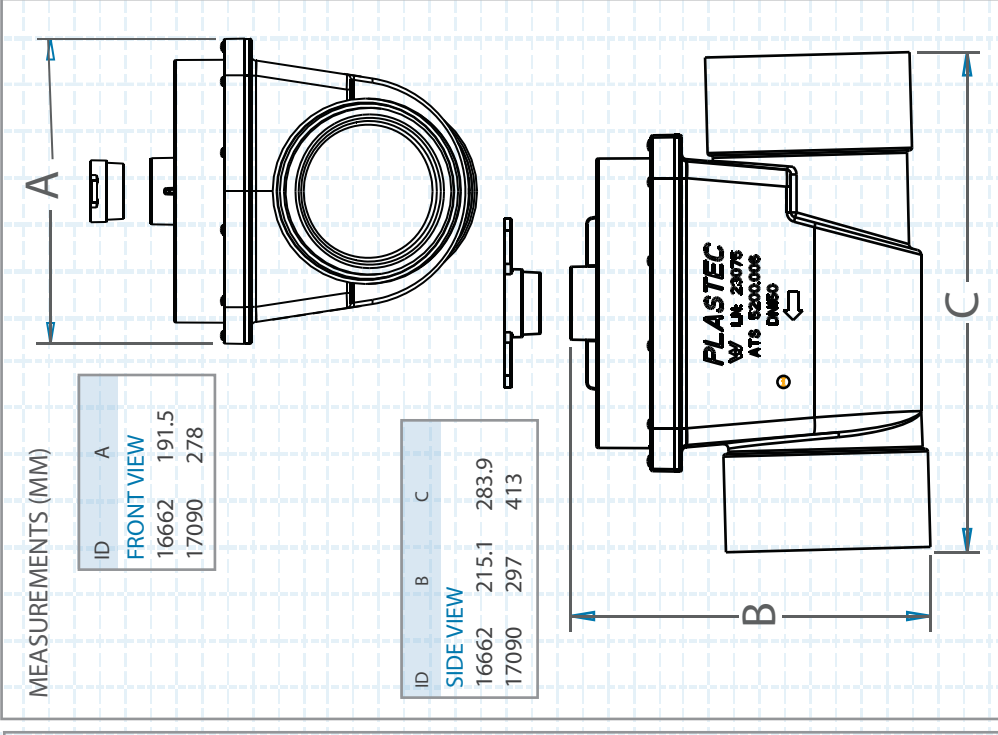
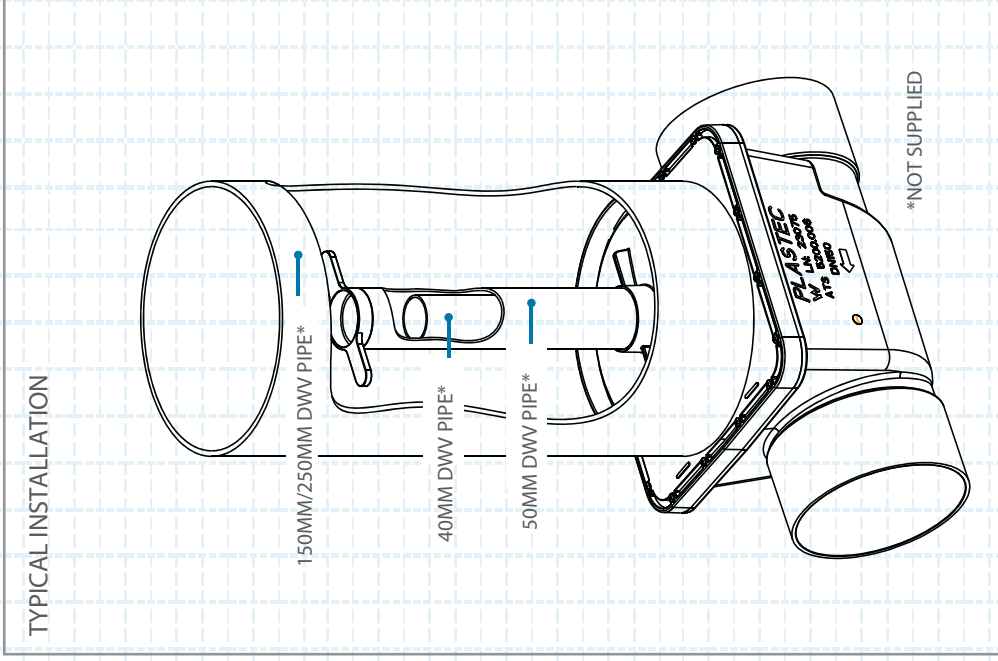
- No need for additional chamber
- Easy access for replacement of non-return assembly
- Adjustable riser height
- Helps prevent rodents entering through pipes



ID		
16662	100	8
17090	150	1

#### RELATED PRODUCTS (sold separately)

- 150mm Bolted Trap Screw (BTS) 17097, suitable for use with 16662
- 225mm Bolted Trap Screw (BTS) 18111, suitable for use with 17090



WWT5006:2005

PH: 07 5413 4444 [WWW.PLASTEC.COM.AU](http://WWW.PLASTEC.COM.AU)

SPECIFICATIONS ARE CORRECT AS AT 07/05/2020 BUT IARE SUBJECT TO CHANGE AT ANYTIME WITHOUT NOTICE.



DIAMETER



FASTENING



BAG QTY



CARTON QTY



FINISH/COLOUR



MEASUREMENT (MM)