

MICRO FLOOR WASTE TRAP

MAXI WASTE & TWIST TOP

- WaterMark approved trap enables a direct to drain application to minimise height.
- Internal trap can be completely removed for cleaning purposes and to easily access waste pipe.
- Available in 100mm Twist Top or Adaptor versions with round or square grates.
- Overall height is significantly less than other traditional methods.

ID	⌀ mm	SHAPE	GRATE FINISH
MAXI ADAPTOR			
17071	100MM	ROUND	CHROME
17271	100MM	SQUARE	CHROME

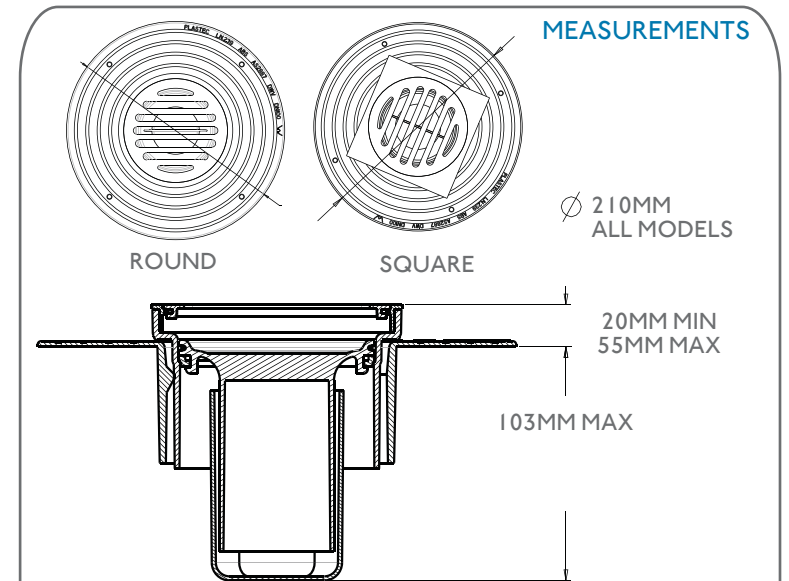
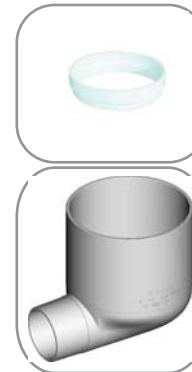
ID	⌀ mm	SHAPE	GRATE FINISH
TWIST TOP			
17073	100MM	ROUND	CHROME
17269	100MM	SQUARE	CHROME



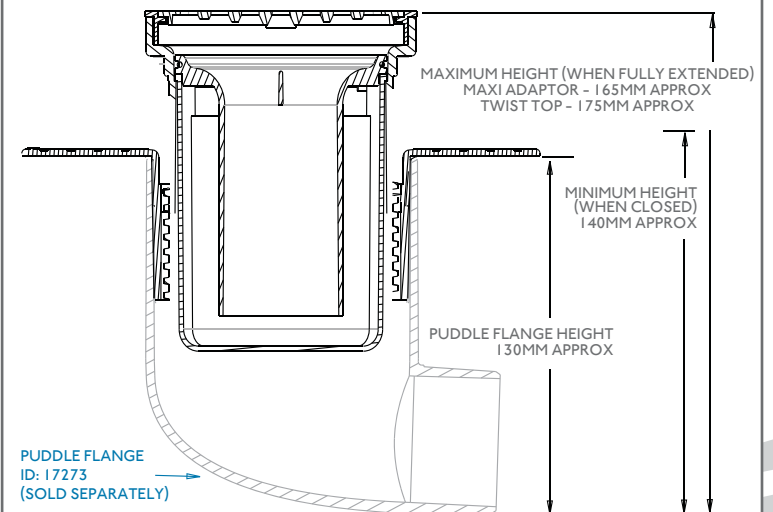
OPTIONAL ACCESSORIES:

- ID 12493 TWIST TOP ADAPTOR EXTENSION - Allows the adaptor to be extended in height in multiples of 10mm.
- PUDDLE FLANGE ELBOWS - Available in a range of sizes including:
 - 12494 - 80 x 50
 - 17273 - 100 x 50 (Extended)
 - 12495 - 100 x 50
 - 18586 - 100 x 65

Note: 17273 is extended to specifically suit Micro Floor Waste Trap products.



EXTENSION MEASUREMENTS



NOTE: MEASUREMENTS PROVIDED ARE FOR USE WITH PLASTEC PUDDLE FLANGE ELBOW 17273. MEASUREMENTS WILL DIFFER IS USED WITH ANOTHER PUDDLE FLANGE ELBOW.