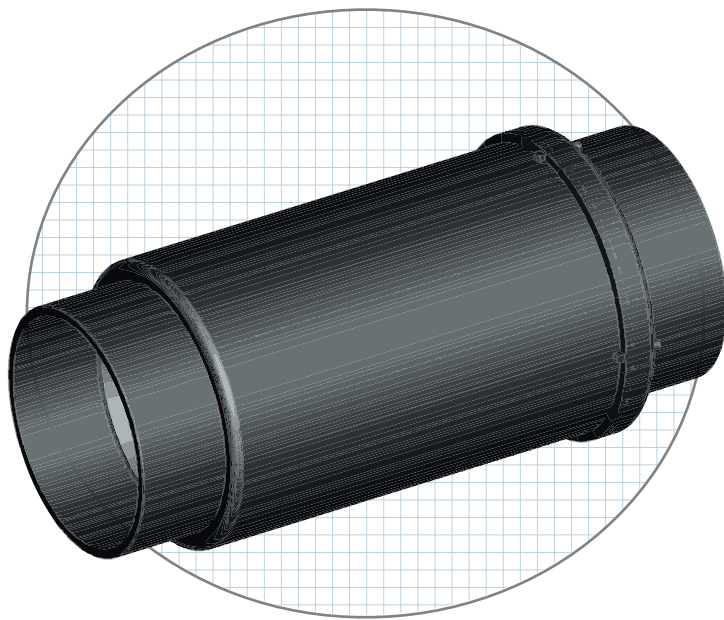


HDPE Expander Joint

- Pipe connection via electrofusion coupling or butt welding.
- DWV versions also available.



| ID | Ø | INLET | OUTLET |
|-------|-----|-----------|-----------|
| 17123 | 110 | Pipe Size | Socket 12 |

