



HEAVY DUTY Long Radius Elbow

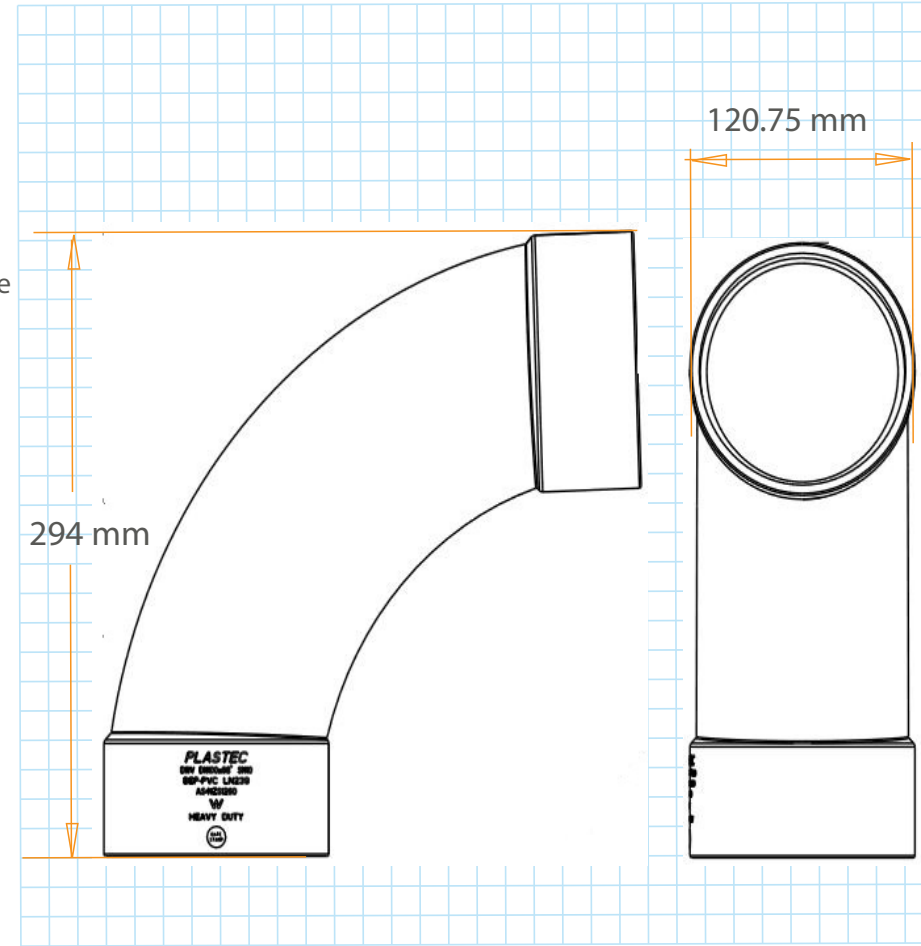
Measurements (mm)

NEW
5mm Wall
Thickness

ID - 17230



- DWV, 88 Degrees.
- Reduces Hydraulic Jump.
- Assists in eliminating blockages due to reduced flow.
- Compliant to prescribed radius in AS/NZ3500.02, when installed at base of stacks.
- Perfect for commercial plumbing.



ID	Ø	CTN QTY	
17230	100mm F&F	88 Degree	10

