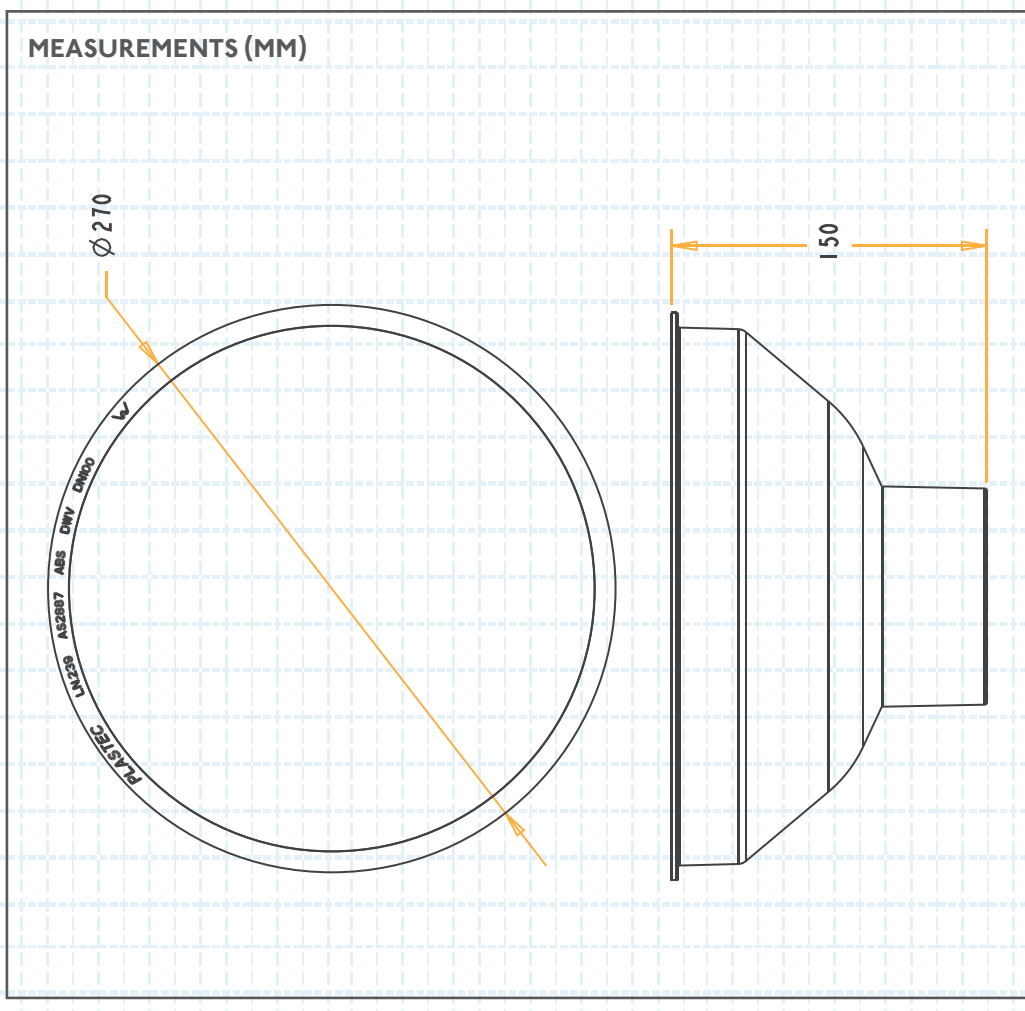


## ROTO CONNECTOR SOLID

- Reduces risk of siphonage
- Designed to be proactively installed during construction
- Body can be cast into concrete
- Solvent weld
- 0-130mm adjustable



ID	FASTENING	BAG QTY	CARTON QTY	FINISH/CLOUR	MEASUREMENT (MM)
17456	100 Spigot	9			

### Related Products:

- Extended and adjustable versions also available.