



PLASTEC


PRODUCT SPECIFICATIONS

RAINWATER TANK KITS OVERFLOW KIT - ELBOW

Kit includes:

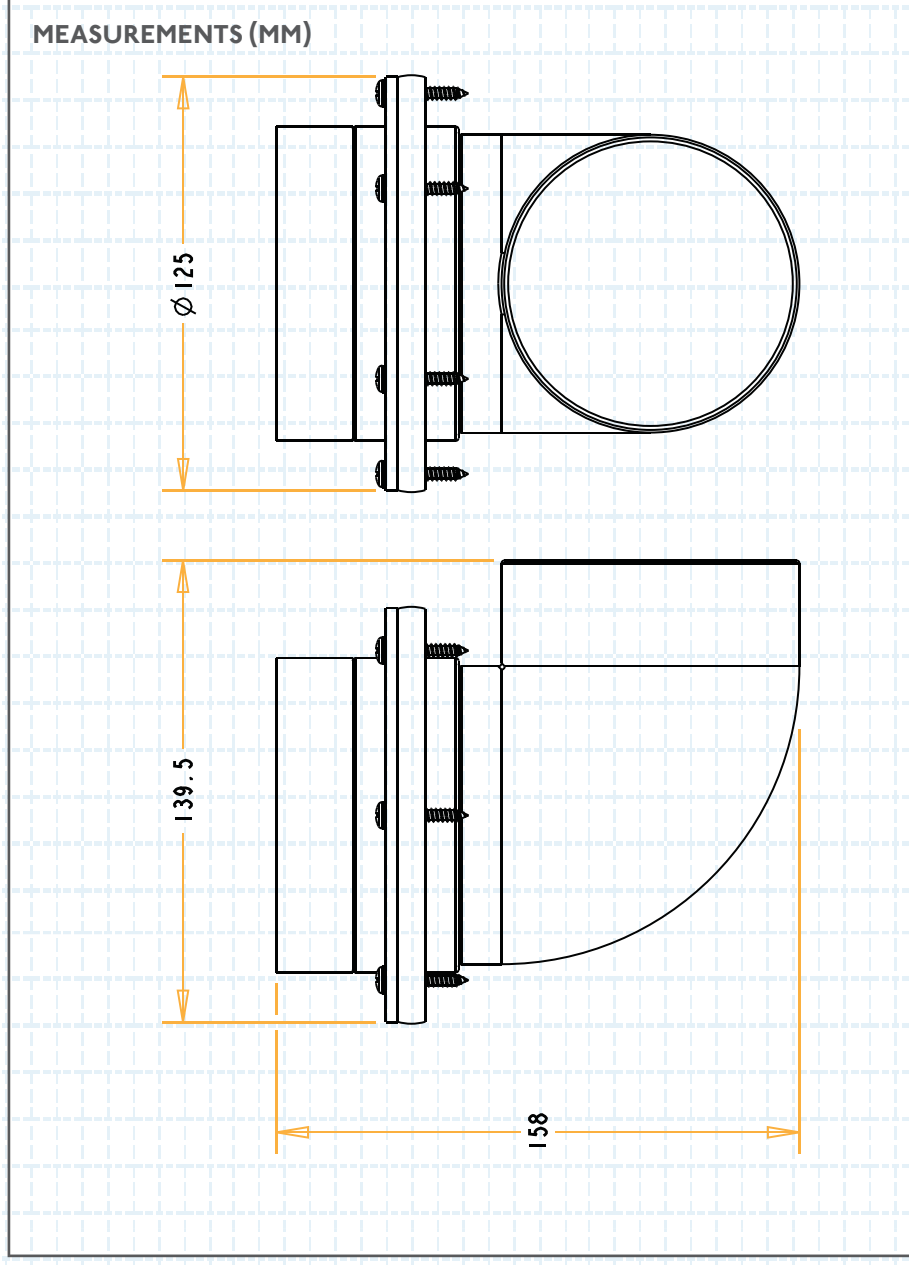
- Tank Overflow Bend (ID 14687) - also available for separate purchase
- Mozzie Stopper Adaptor (ID 15592 - also available for separate purchase
- Tank Bend Seal (ID 16696) - also available for separate purchase
- 6 x Screws (ID 17095)



ID	Ø	
17825	90	30

Related Products:

- Overflow Kit - Straight - ID 18847
- S/Water Tank Overflow Elbow 100mm - ID 16353
- S/Water Tank Overflow Seal 100mm - ID 16695
- S/Water Stainless Steel Strainer 100mm - ID 14672



DIAMETER



FASTENING



BAG QTY



CARTON QTY



FINISH/COLOUR



MEASUREMENT (MM)

DETAILS CORRECT AT TIME OF PRINTING (21.02.17), BUT ARE SUBJECT TO CHANGE