

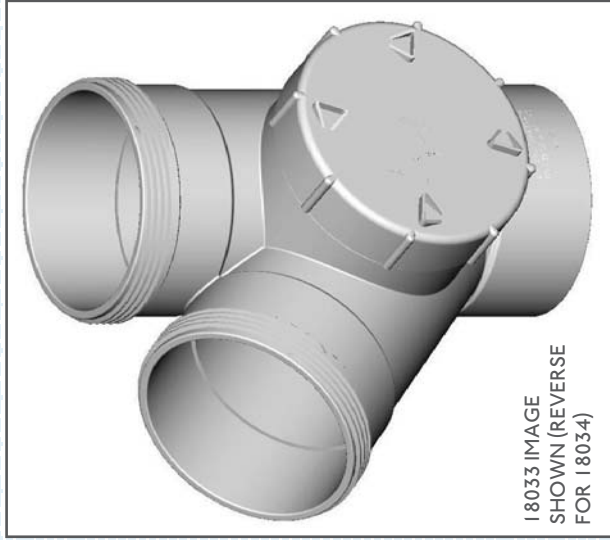


PLASTEC

PRODUCT SPECIFICATIONS

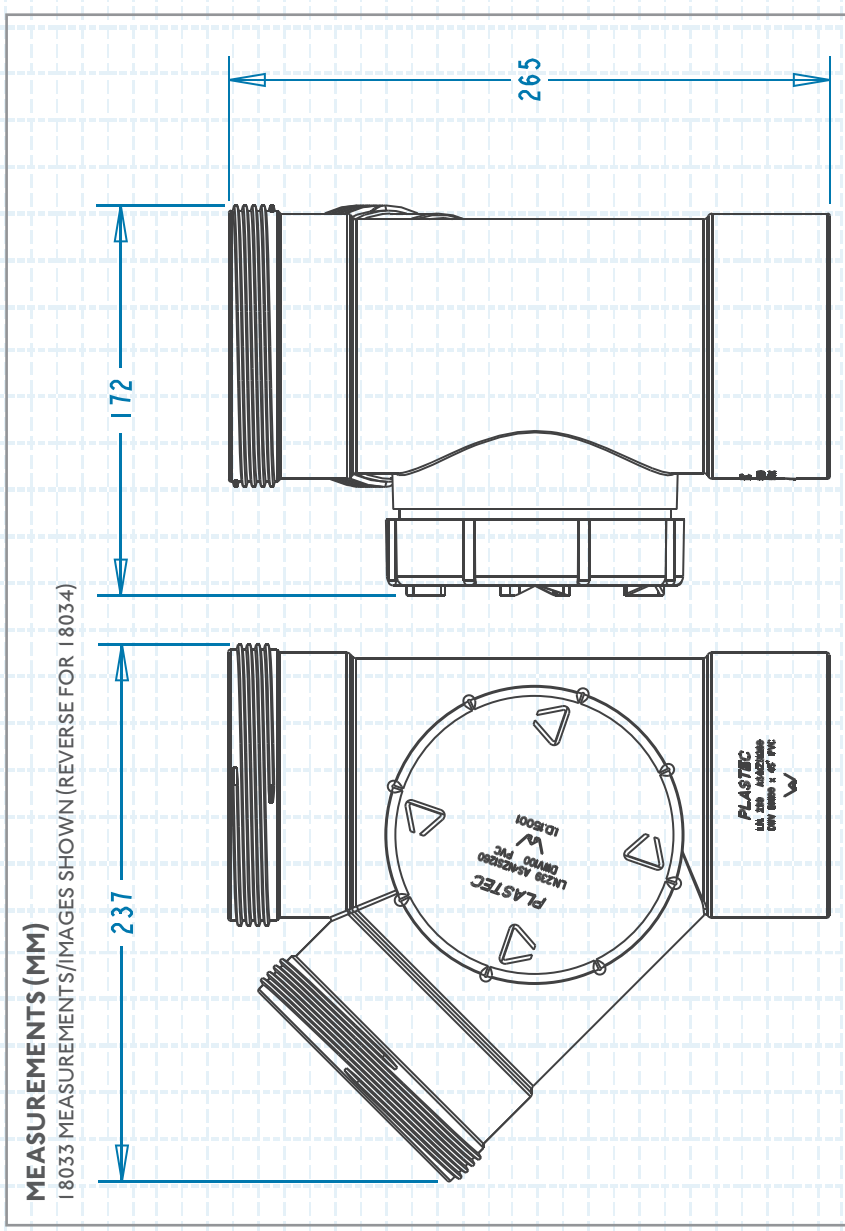
DWV FITTINGS - JUNCTION

LEFT/RIGHT HAND ACCESS FF X 45 DEGREES



18033 IMAGE
SHOWN (REVERSE
FOR 18034)

ID	DEGREE	ACCESS DIRECTION
18033	100	45 LEFT HAND
18034	100	45 RIGHT HAND



WaterMark
AS/NZS 1260 / 239

PH: 07 5413 4444

WWW.PLASTEC.COM.AU

DETAILS CORRECT AT TIME OF PRINTING (09.11.2015), BUT IS SUBJECT TO CHANGE