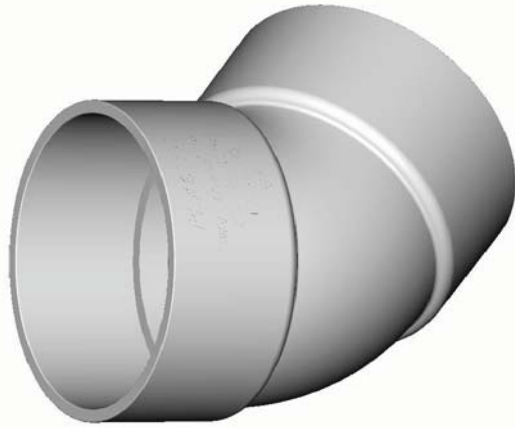


HEAVY DUTY BENDS - F/F - 45 DEGREES



- Increased wall thickness for additional support
- Suitable for use in reactive soils

ID	INLET	OUTLET	MAX. EXPANSION
18782	100 Socket	100 Socket	45
18843	150 Socket	150 Socket	45

Related Products:

- Male/Female also available.
- Regular DWV Bends also available.

PRODUCT SPECIFICATIONS

