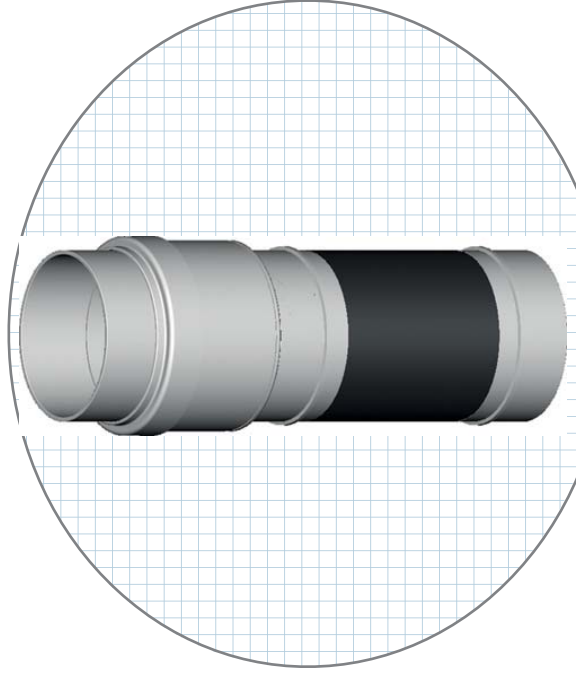


Combination Joint Kits

Flexitec



- Flexitec and Expansion Joint assembled.
- Components available for purchase separately.



ID	Ø (MM)	INLET	OUTLET	MAX. EXPAN (MM)
18855	100	Socket	Socket	60
18856	100	Socket	Socket	150
18857	100	Socket	Socket	200
18858	150	Socket	Socket	200
18859	225	Socket	Socket	200



Related Products: • Flexitec and expansion joints also available for separate purchase.

