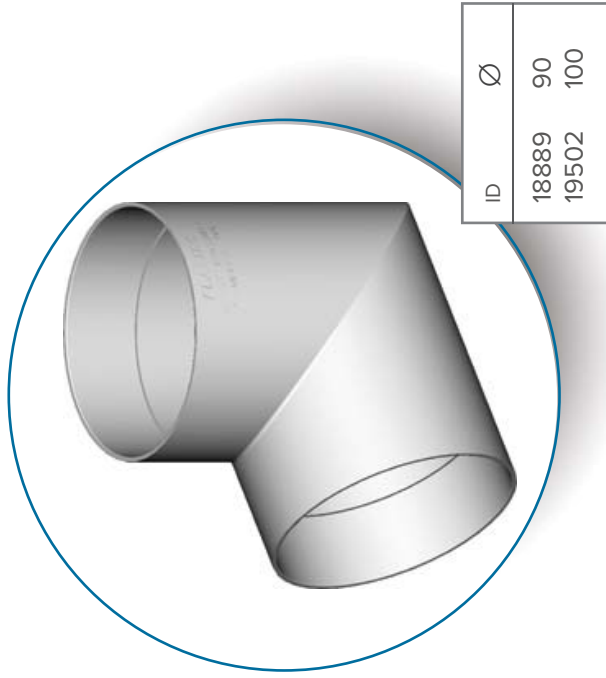




# Round Bend F/F 85°

Stormwater Downpipe Fittings



Related Products: Round Bends F/F 45°, Rectangular Bends 45° & 85° also available - see website for more details  
[www.plastec.com.au](http://www.plastec.com.au)

