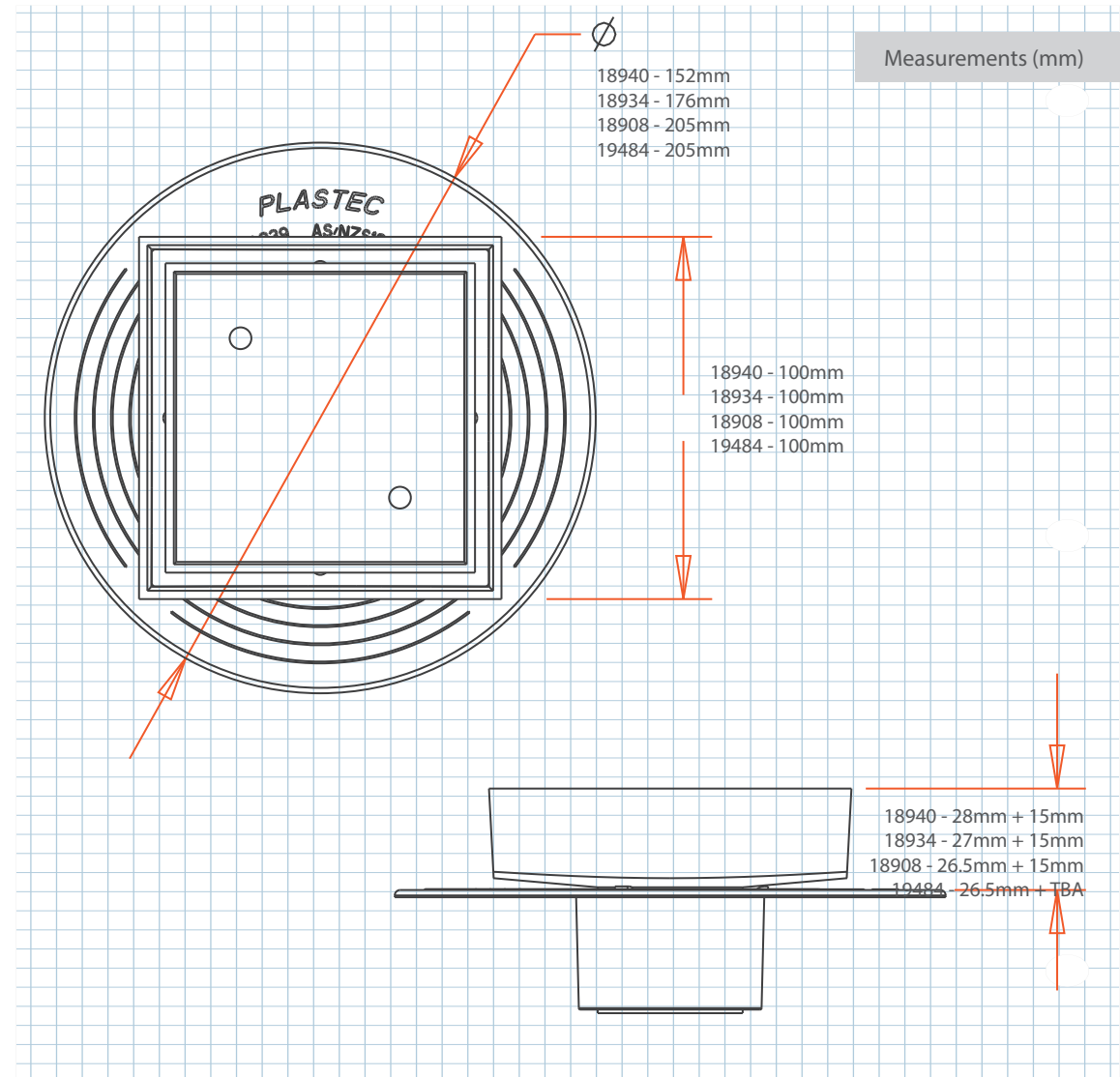
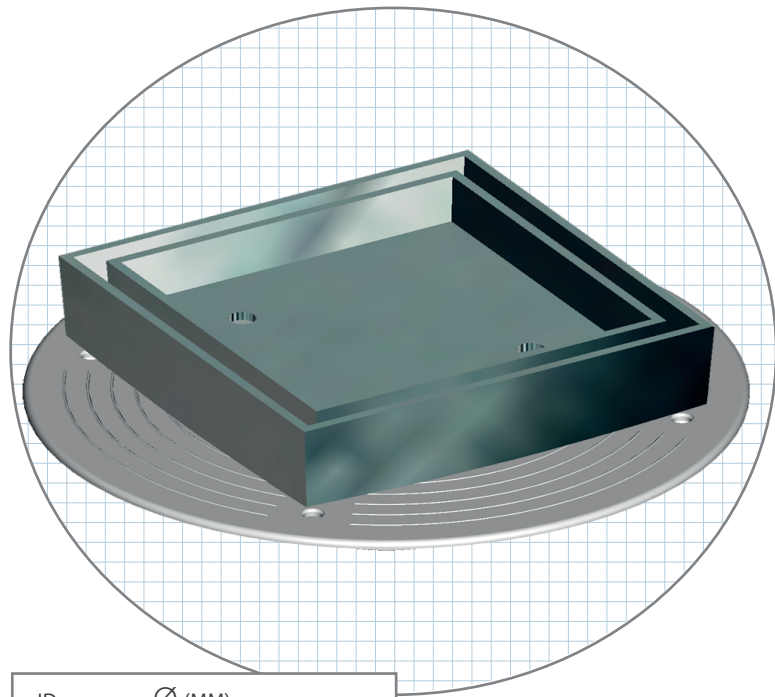


Versa-Tile Floor Waste

Solvent Weld with Insert - Tile

- Solvent weld into DWV pipe.



ID	Ø (MM)	
18940	50	14
18934	80	22
18908	100	11
19484	100 Low Profile	11



Related Products:

- Rubber Ring Joint versions available.
- Insert Plate and Insert Grate options also available.