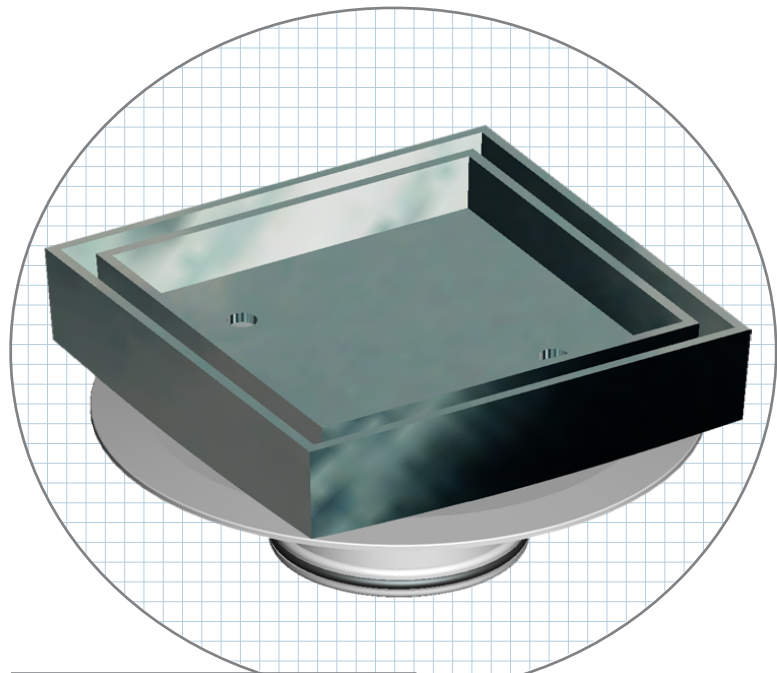


Versa-Tile Floor Waste

Rubber Ring Joint with Insert-Tile

- No solvent welding required.



ID	Ø (MM)	
18941	50	20
18935	80	22
18909	100	18
19485	100, Low profile	18



Related Products:

- Solvent Weld versions available.
- Insert Plate and Insert Grate options also available.

