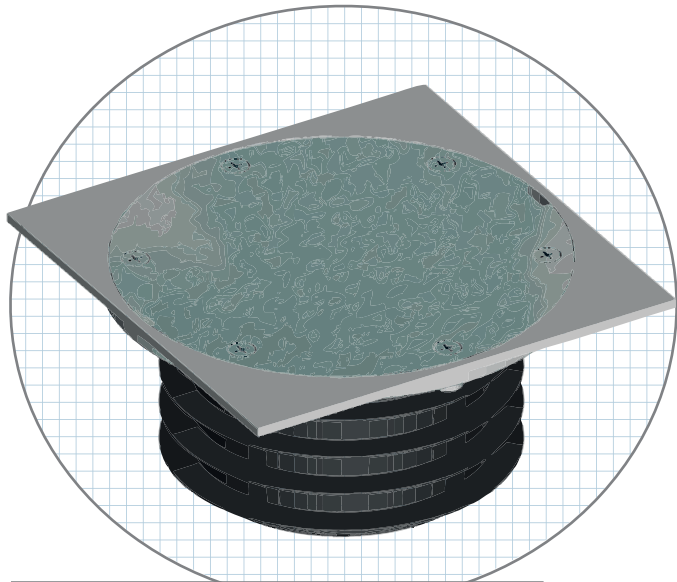


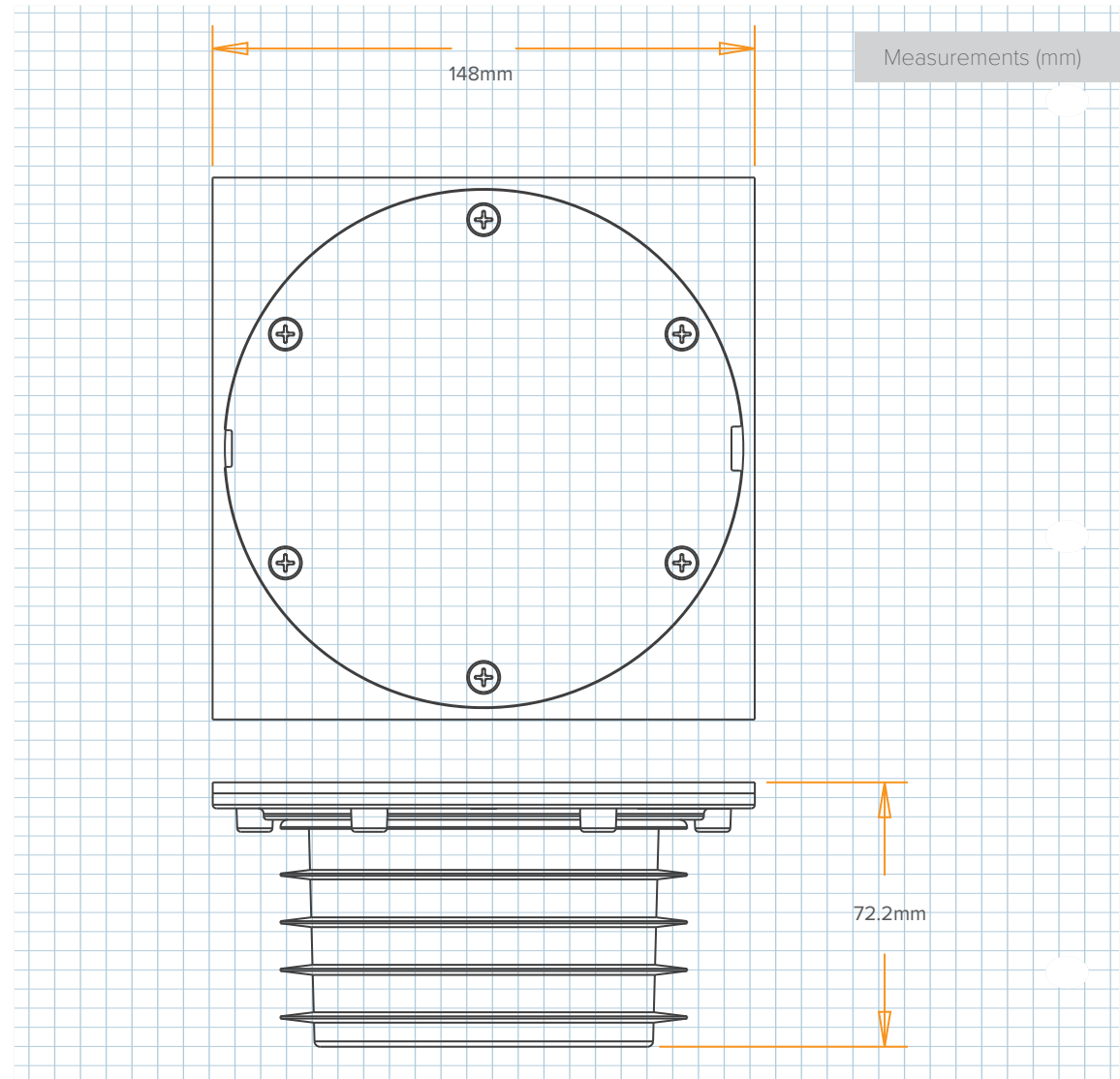
Bolted Trap Screw

Flexi Fin - Stainless Steel - Square

- No solvent welding required.
- Remove fin for solvent welding into 90mm pipe.
- Quick and easy installation.
- Six screw fixing system.
- Stainless Steel 316.



ID	Ø		
19135	100/90	S/Steel Non-Slip	TBA



Related Products: • HDPE version also available. • Lid can also be purchased separately.