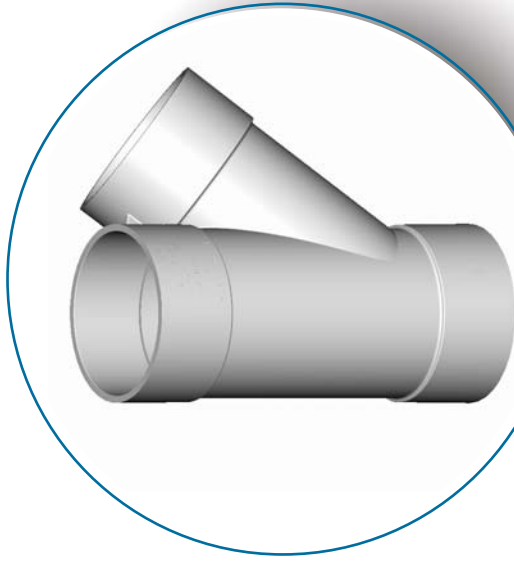


Product Specifications

DWV CivilTec Super Heavy Duty 45° Junctions

Solvent Weld - Female/Female

- Increased wall thickness for additional support.
- Suitable for use in reactive soils.



ID	Ø	WALL THICKNESS
19321	100	5
19322	150	6

Related Products: CivilTec Super Heavy Duty range also includes other fittings, visit www.plastec.com.au for details.

