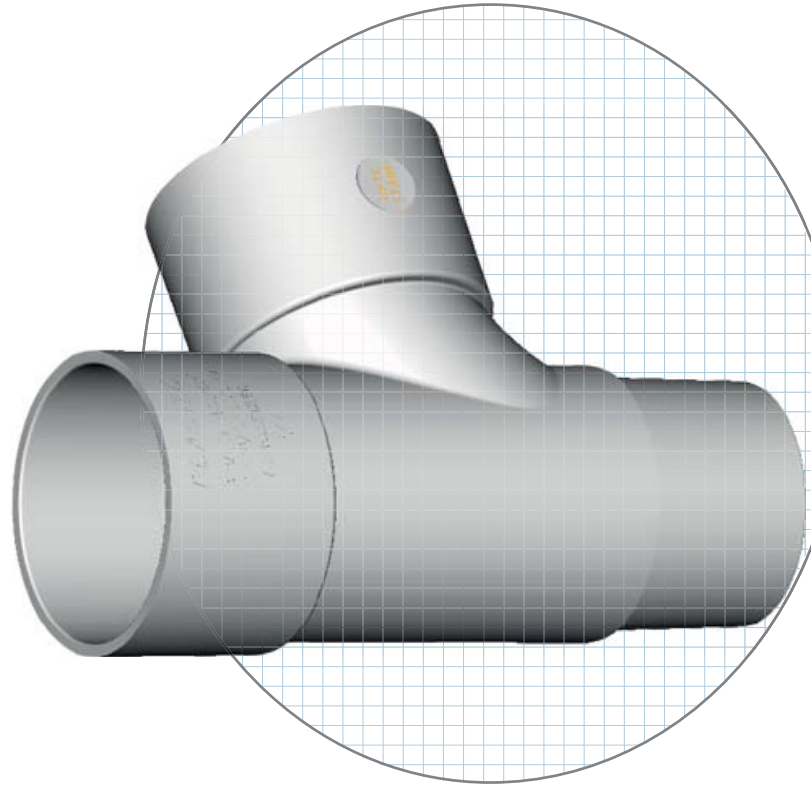


Slab Junction

88 Degrees



ID	INLET (MM)	OUTLET (MM)		
19406	40	40	5	180
19407	50	50	5	80
19504	100	100		13

Measurements (mm)

