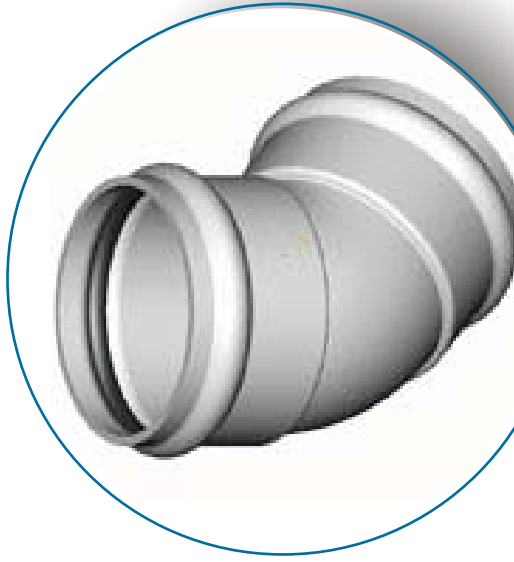


Product Specifications

DWV CivilTec Super Heavy Duty 45° Bends Rubber Ring Joint x 2 Female/Female

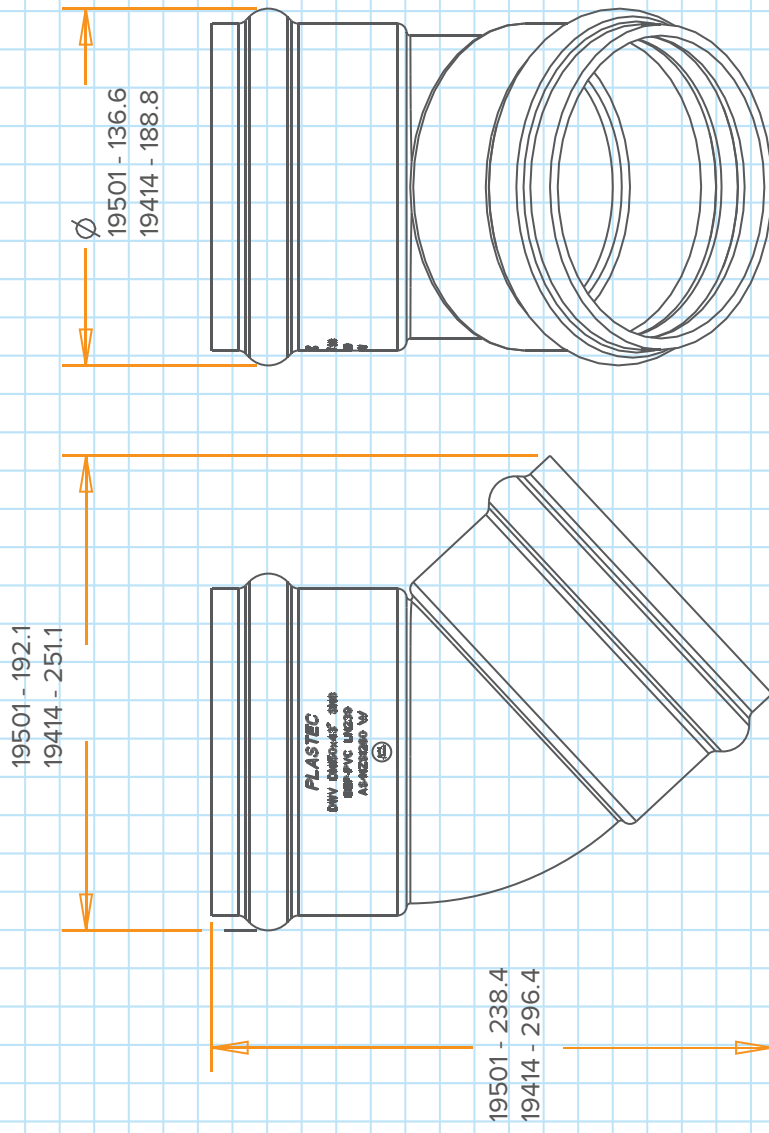
- Increased wall thickness for additional support.
- Suitable for use in reactive soils.



ID	Ø	WALL THICKNESS
19501	100	6
19414	150	6

Related Products: Solvent weld versions also available. Bends of other degrees also available. CivilTec Super Heavy Duty range also includes other fittings, visit www.plastec.com.au for details.

Measurements (mm)



PLASTEC

WATER SERVICES
ASSOCIATION OF AUSTRALIA
PA1 404

WaterMark
AS/NZS 1260
239