

Product Specifications



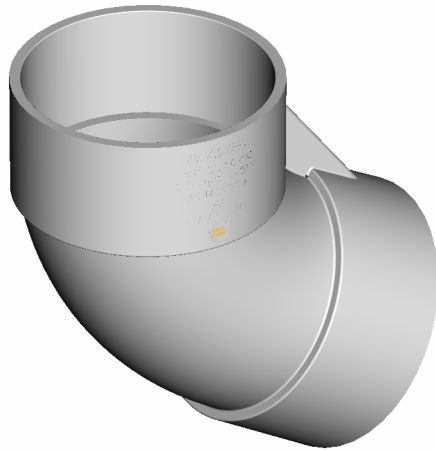
DWV CivilTec Super Heavy Duty

60° Bend Solvent Weld

Female/Female

ID:
19489

- Increased wall thickness for additional support
- Suitable for use in reactive soils

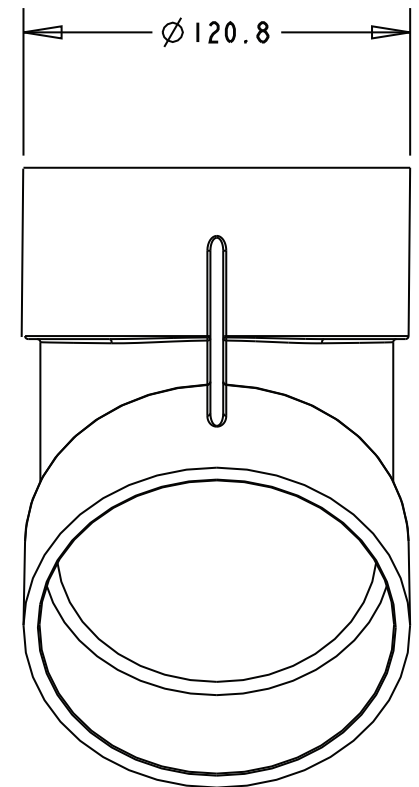
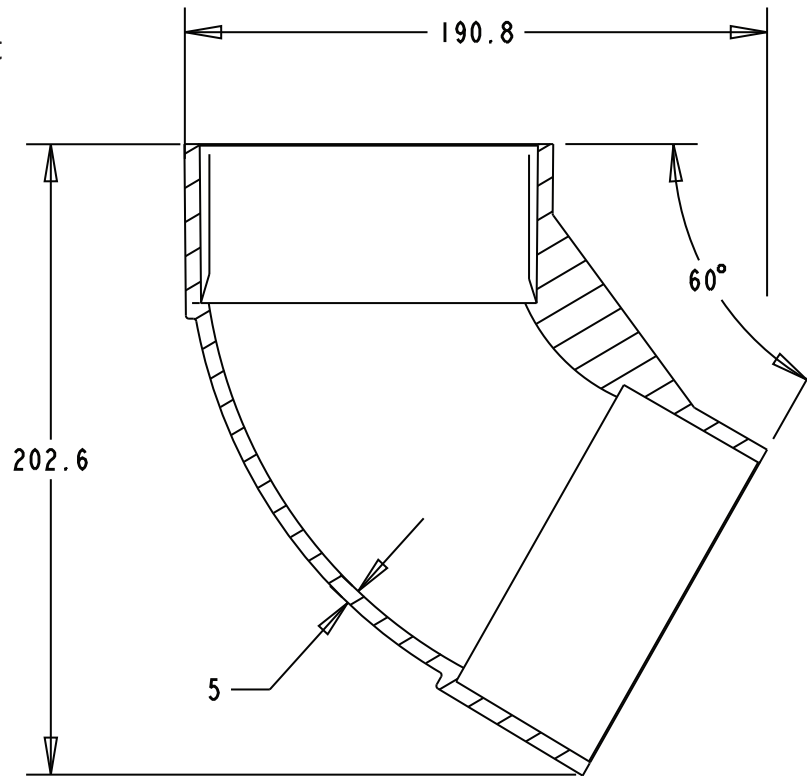


ID	Ø (MM)	↔ WALL (MM)	CTN QTY
19489	100	5MM	31

*Male/Female available (ID: 20207)

Related Products: Rubber ring joint versions also available. Bends of other degrees available. CivilTec Super Heavy Duty range also includes other fittings, visit www.plastec.com.au for details.

Measurements (mm)



07 5413 4444 - www.plastec.com.au

Specifications are correct as at 22/02/2023, but are subject to change at any time without notice.

