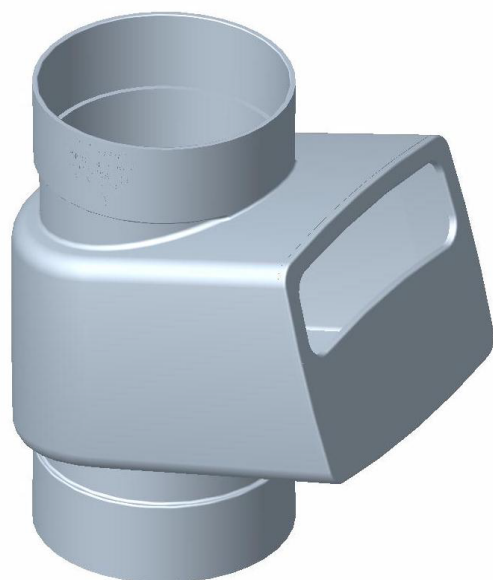



Plastec Air Gap Assembly

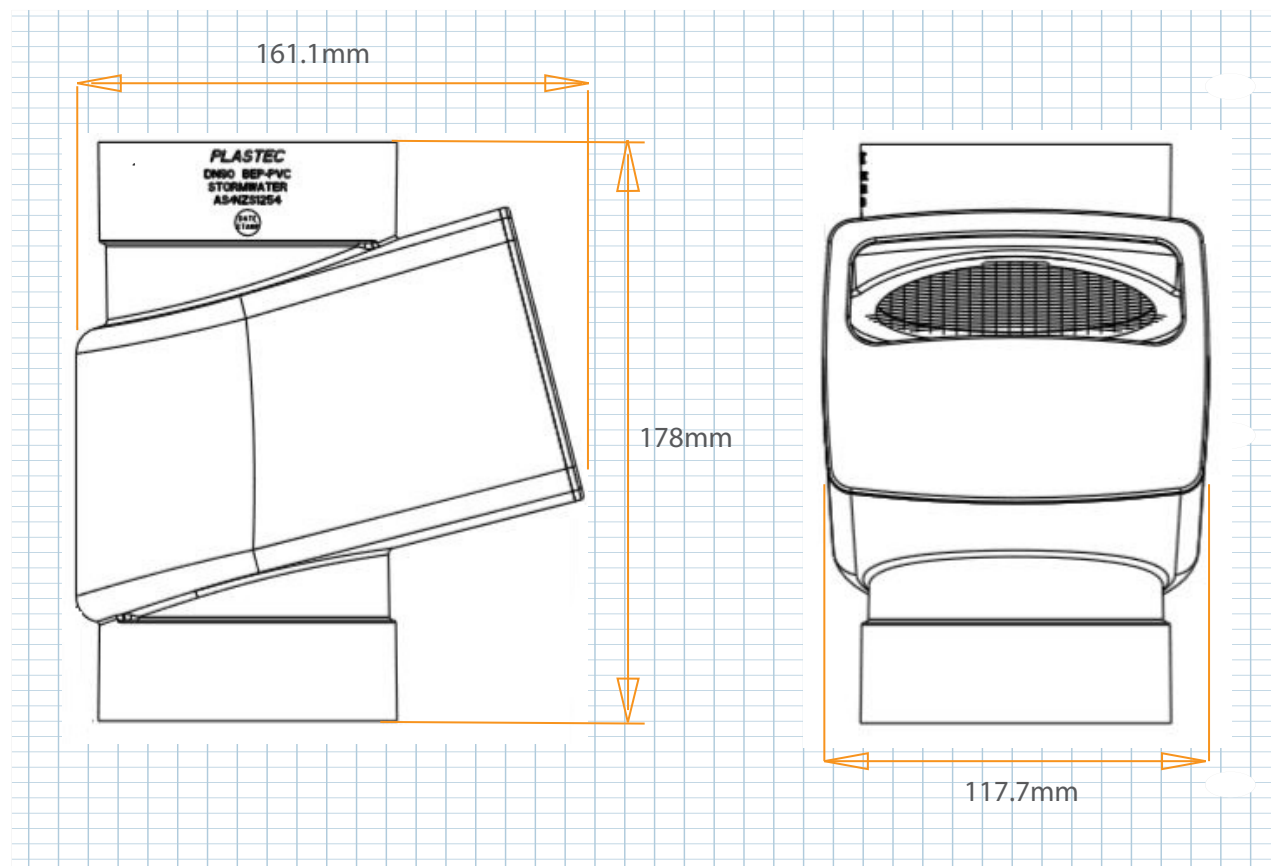


- Fitted with .95mm, Mozzie proof stainless steel screen.
- Complies with HB230 & AS/NZS 1254.
- Easy pull out cassette feature. Allows for easy cleaning.
- Extended Nose & Front Cover. Reduces possible splashing.
- Compact Design.
- Prevents storm water backflow from entering water tank.
- Creates visual inspection point.

Measurements (mm)



| ID | Ø |  |
|-------|------|---|
| 19725 | 90mm | 12 |



07 54134444 - www.plastec.com.au

Specifications as at 18/01/2021 , but are subject to change at any time without notice.