



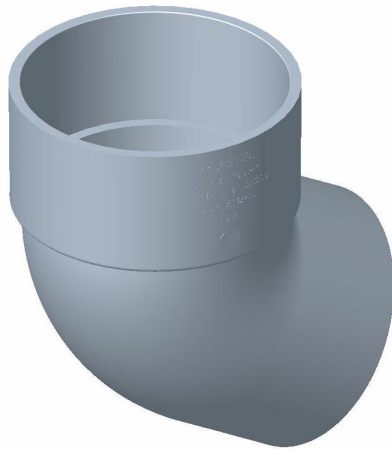
DWV CivilTec Super Heavy Duty

60° Bend Solvent Weld

Male/Female

ID:
20702

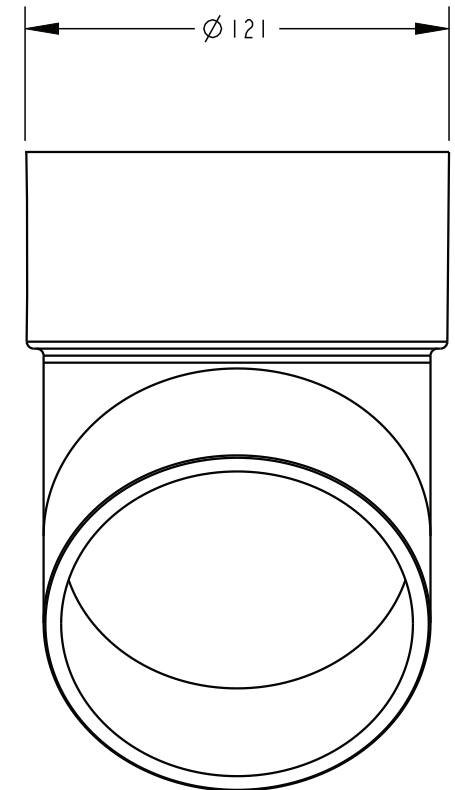
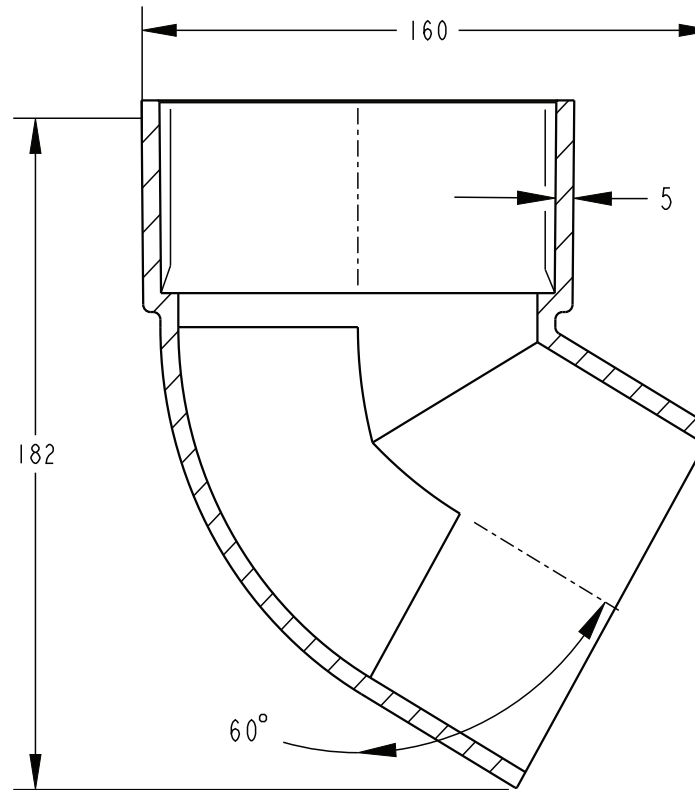
- Increased wall thickness for additional support
- Suitable for use in reactive soils



ID	Ø (MM)	↔ WALL (MM)	CTN QTY
20702	100	5MM	31

*Female/Female available (ID: 19489)

Measurements (mm)



Related Products: Rubber ring joint versions also available. Bends of other degrees available. CivilTec Super Heavy Duty range also includes other fittings, visit www.plastec.com.au for details.

07 5413 4444 - www.plastec.com.au

Specifications are correct as at 22/02/2023, but are subject to change at any time without notice.

