

AVAILABLE
NOW

NEXT GENERATION REFLUX VALVE



Removable
flap for servicing

- IMPROVED COMPACT DESIGN
- SERVICEABLE FROM ANY DEPTH
- HEAVY DUTY WALL THICKNESS
- SOLVENT WELD
- AUSTRALIAN MADE
- WMTS006 LN23075

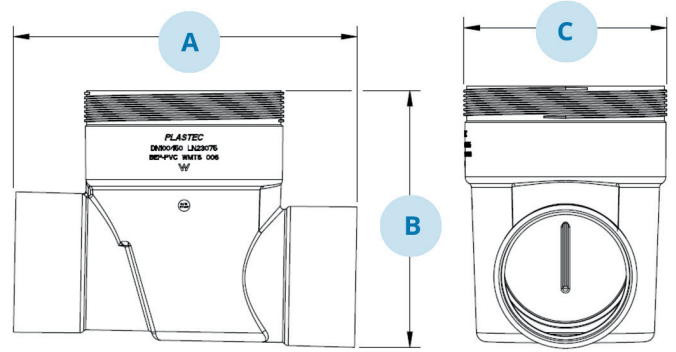


PLASTEC
INNOVATIVE PLUMBING SOLUTIONS



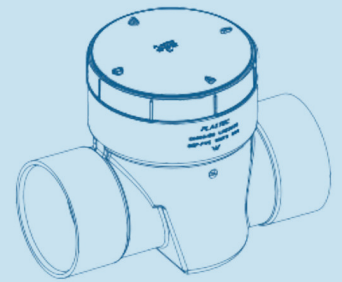
REFLUX VALVE

ID	∅	A	B	C
20779	100	300	225	174



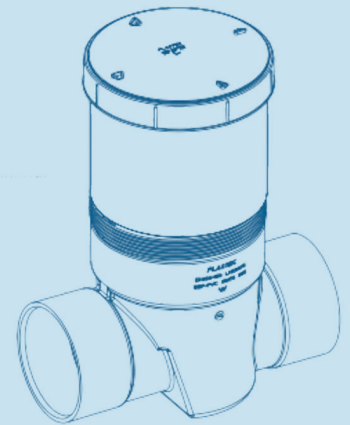
INSTALLATION INSTRUCTIONS - ABOVE GROUND

- Reflux valve must be installed horizontally so unit is level at top. Plastec's reflux valves have an internal 1° fall built in to accommodate effective water flow.
- Ensure reflux valve is installed in the correct direction of water flow as indicated on the side of the unit.
- Secure 150mm threaded cap prior to use.
- Avoid the reflux valve coming into contact with acids and/or corrosive chemicals.
- Use Type N cement to AS/NZS3879 when joining to pipe work and fittings.
- Reflux valve must be installed in accordance with AS/NZS3500.

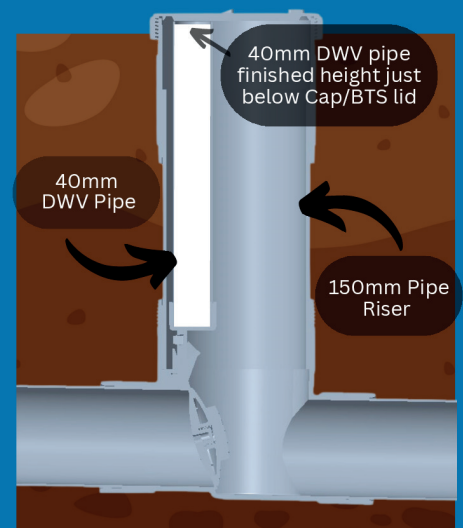


INSTALLATION INSTRUCTIONS - BELOW GROUND

- To ensure access and serviceability when installed below ground, use a suitably cut length of 150mm DWV riser pipe (not provided).
- Solvent weld the riser pipe to the top socket of the reflux valve.
- Cut a length of 40mm DWV extension pipe (not supplied) to the correct length so that the top extension pipe fits neatly inside the riser pipe and finishes near to the top of the riser pipe.
- Solvent weld the 40mm extension pipe onto the 40mm socket on the flap retainer.
- Either, solvent weld a 150mm threaded coupling (ID 17426) to the top of the riser and attach a 150mm threaded cap (ID 15002), or solvent weld a 150mm bolted trap screw (ID 17097) to the top of the riser.
- Ensure the 40mm DWV pipe finished height is just below the bottom of the cap/BTS lid to firmly secure the flap.
- Use Type N cement to AS/NZS3879 when joining to pipework and fittings.
- Reflux valve must be installed in accordance with AS/NZS3500.



THIS REFLUX VALVE HAS BEEN MANUFACTURED IN ACCORDANCE WITH AUSTRALIAN TECHNICAL STANDARDS WMTS 006 - REFLUX VALVES SEWERAGE. WARRANTY EXTENDS TO REPLACEMENT OF PRODUCT ONLY, PROVIDED PRODUCT HAS BEEN INSTALLED AS PER MANUFACTURERS INSTRUCTIONS.



150MM BTS printed -Reflux Valve Installed Below ID 17097

www.plastec.com.au

