



PLASTEC

INNOVATIVE PLUMBING SOLUTIONS

WWW.PLASTEC.COM.AU

LIKE US ON FACEBOOK

**NEW
TO PLASTEC**

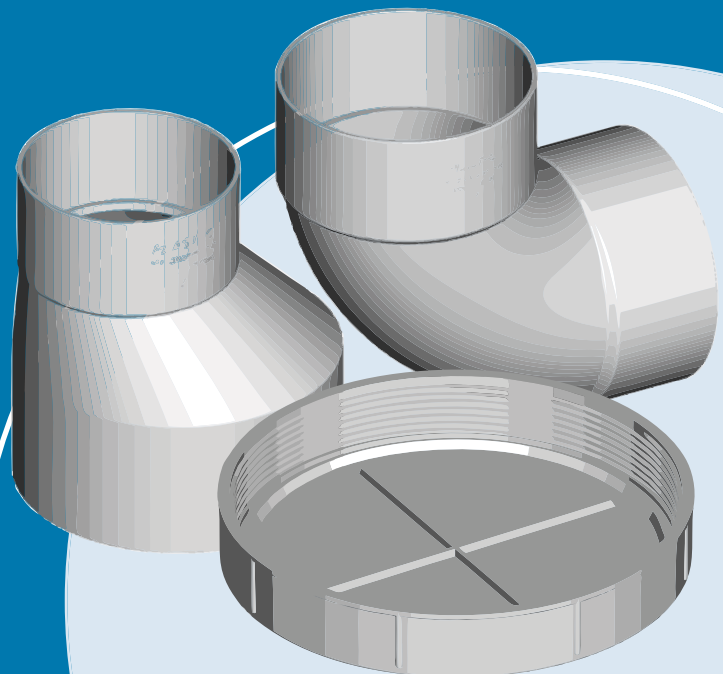
FOR ALL YOUR COMMERCIAL NEEDS

225MM DWV RANGE

Now offering 225mm DWV fittings to meet your commercial installation needs

Our range includes:

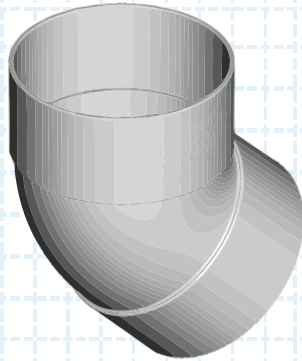
- 88° Swept Bend
- 45° Bend
- Threaded & Heavy Caps
- 45° & 88° Junctions
- Level Invert Taper
- Bolted Trap Screw
- Threaded Coupling



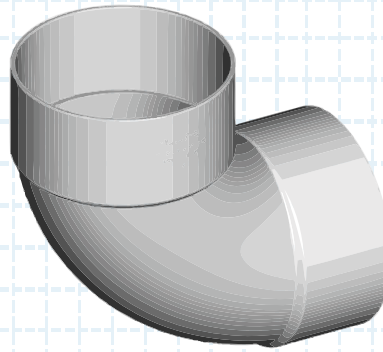
225MM PRODUCT RANGE

BENDS

45 Degrees Bend 225mm ID: 17281

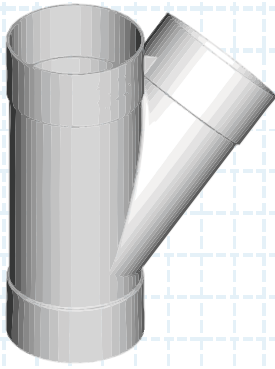


88 Degrees Swept Bend 225mm ID: 17278

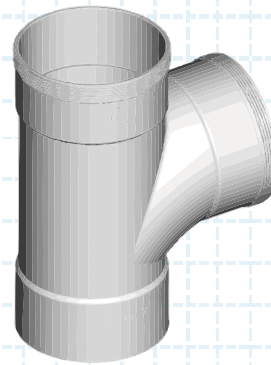


JUNCTIONS

45 Degrees Junction 225mm ID: 17294

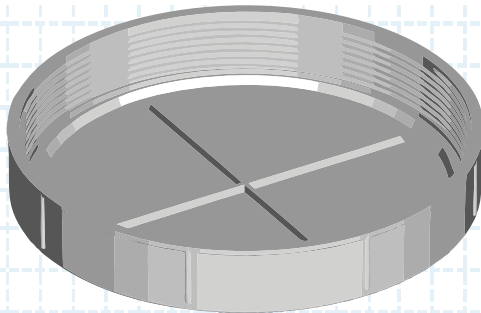


88 Degrees Junction 225mm ID: 17300

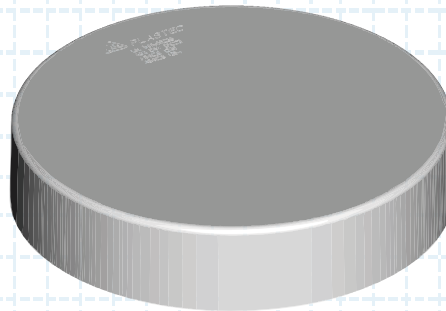


CAPS

Threaded Cap 225mm ID: 18071

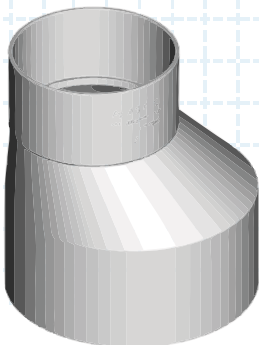


Heavy Duty Solvent Weld Cap 225mm ID: 14982



LEVEL INVERT TAPER

Level Invert Taper 225mm ID: 17307



THREADED COUPLING

Threaded Coupling 225mm ID: 18156



BOLTED TRAP SCREWS

Bolted Trap Screw 225mm ID: 18111

