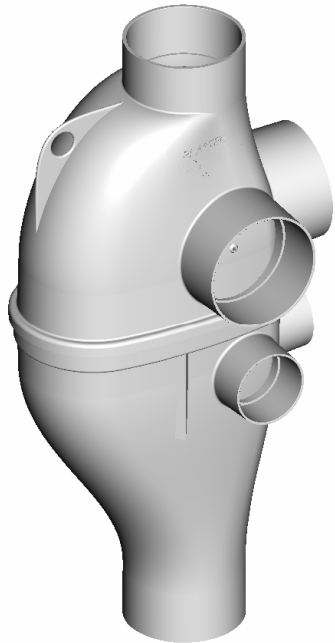




Stack Diverter

Reduced Velocity Aerator Stack System (RVASS)

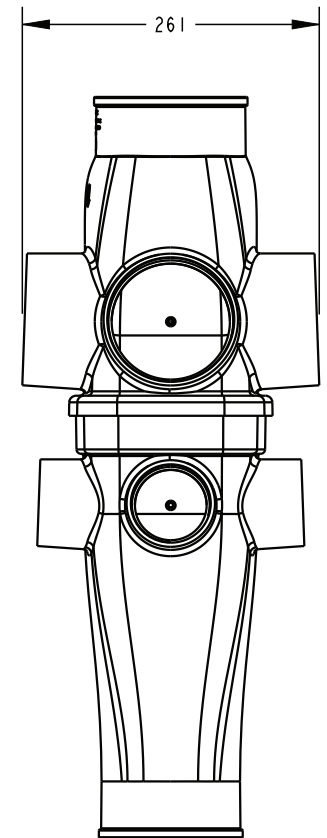
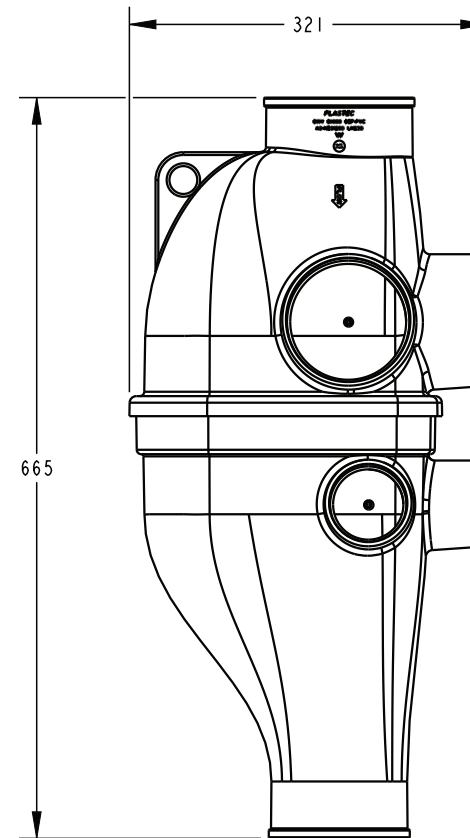
ID:
18091



- Made from PVC
- Fully complies to AS3500 RVASS standards. No third party certification required
- Fully Watermark approved
- Connections are FI, designed to be solvent welded to 100mm DWV pipe
- Minimal ceiling space required, with 100mm branches at highest possible point on fitting
- No access panels required for maintenance
- No machine or offsite welding required

ID	Ø (MM)	CTN QTY
18091	100	1

Measurements (mm)



07 5413 4444 - www.plastec.com.au

JUDE PHOON - SPECIALIST

0437 610 967

Specifications are correct as at 11/10/2023, but are subject to change at any time without notice.

