

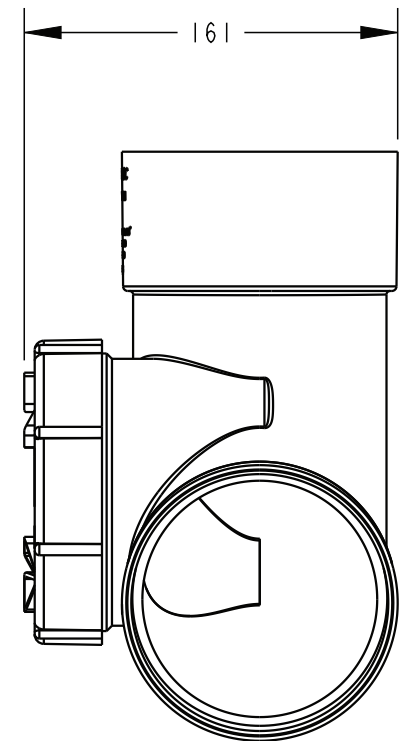
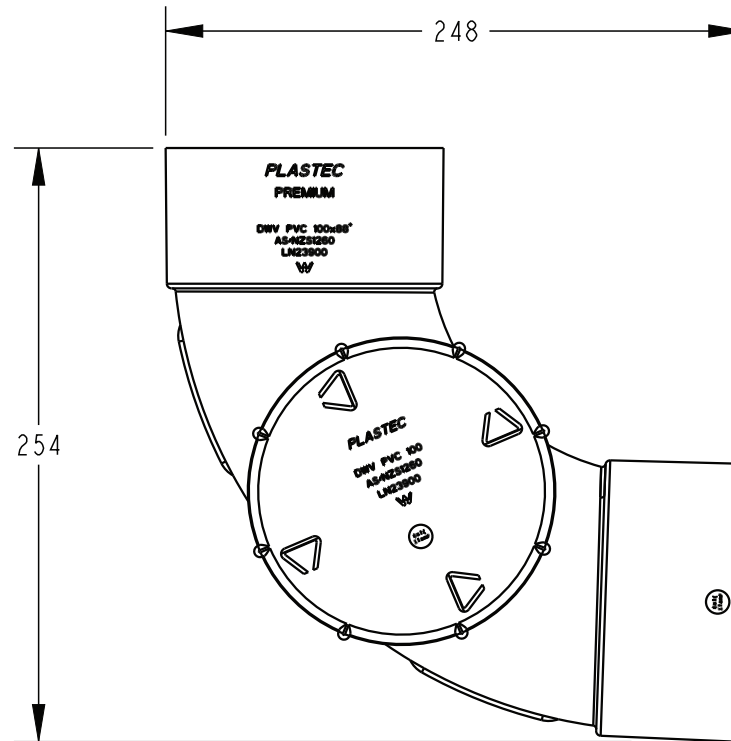
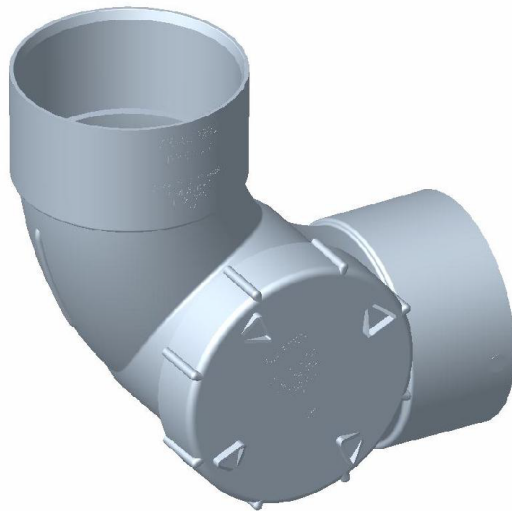


DWV Bend 100 X 88D F&F Side/Acc (Premium)

ID:
20646

Measurements (mm)

- Indicator spine
- 4mm wall thickness
- Lead-in chamfer



ID	Ø (MM)	CTN QTY
20646	100	8

07 5413 4444 - www.plastec.com.au

Specifications are correct as at 01/08/2024, but are subject to change at any time without notice.

