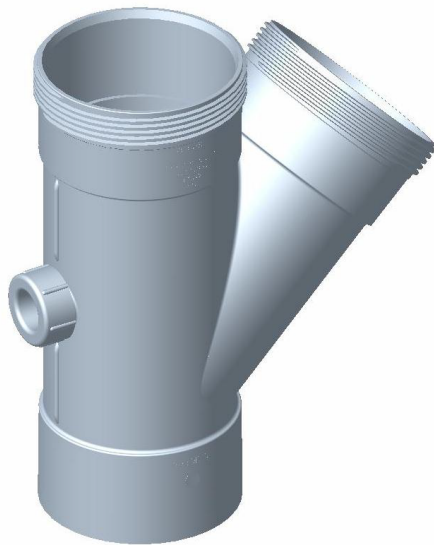


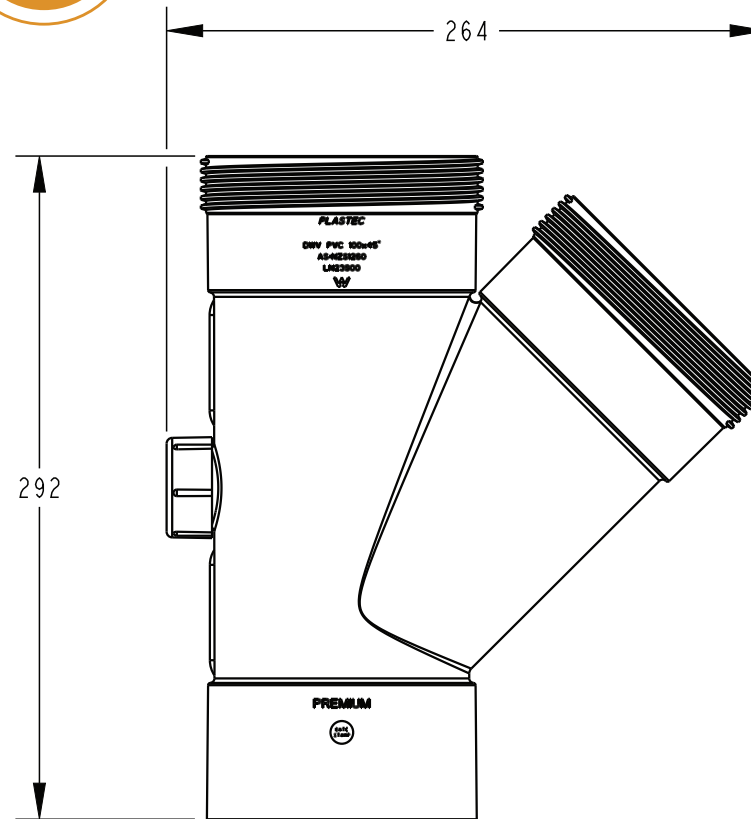


DWV Junction 100x45 F&F IO (Premium)

- Indicator spine
- 4mm wall thickness
- Lead-in chamfer



ID	Ø (MM)	CTN QTY
20814	100	10



Measurements (mm)

