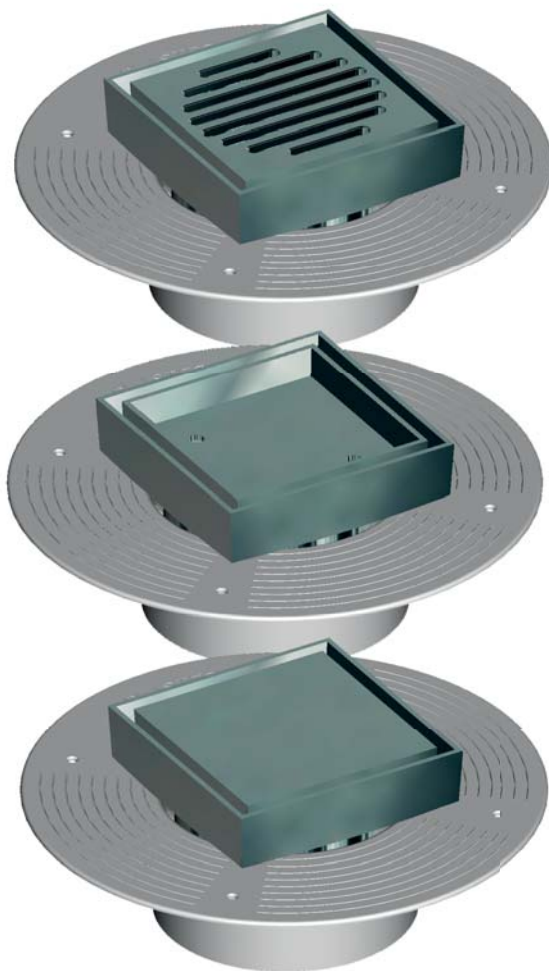


# Versa-Tile

Floor Wastes

Versa-Tile is an easy to use, versatile floor waste system, made from high quality chrome plated brass.

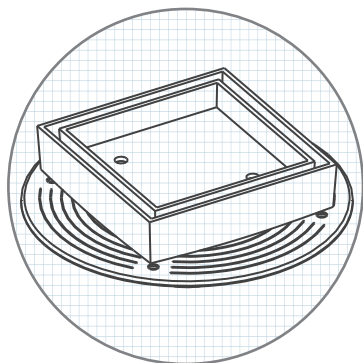
Available with Grate, Tile or Plate insert options, in both solvent weld and rubber ring joint.



# Versa-Tile

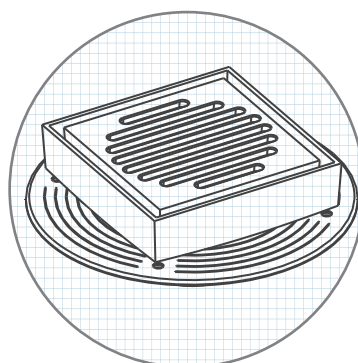
Floor Wastes

## Solvent Weld - Solvent weld into DWV pipe.



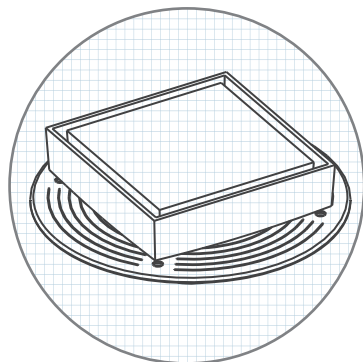
Insert - Tile

ID	Ø (MM)
18940	50
18934	80
18908	100



Insert - Grate

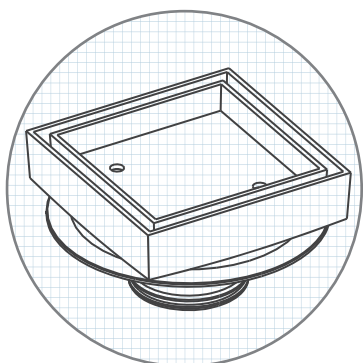
ID	Ø (MM)
18942	50
18936	80
18910	100



Insert - Plate

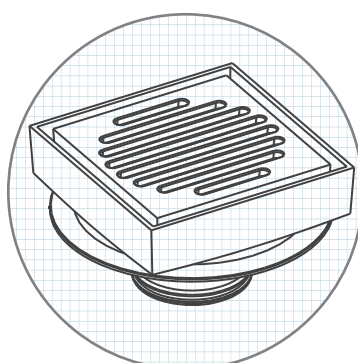
ID	Ø (MM)
18944	50
18938	80
18912	100

## Rubber Ring Joint - No solvent welding required.



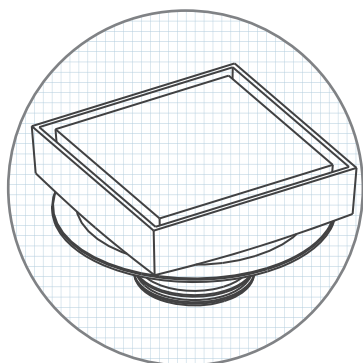
Insert - Tile

ID	Ø (MM)
18941	50
18935	80
18909	100



Insert - Grate

ID	Ø (MM)
18943	50
18937	80
18911	100



Insert - Plate

ID	Ø (MM)
18945	50
18939	80
18913	100